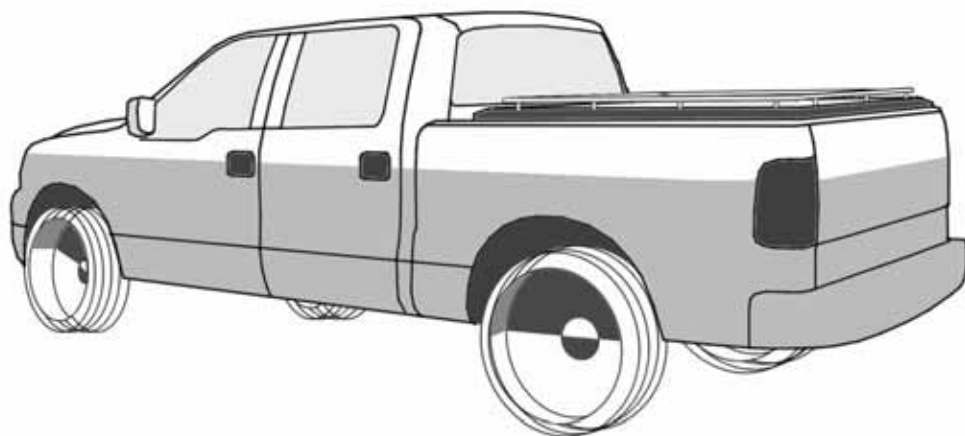


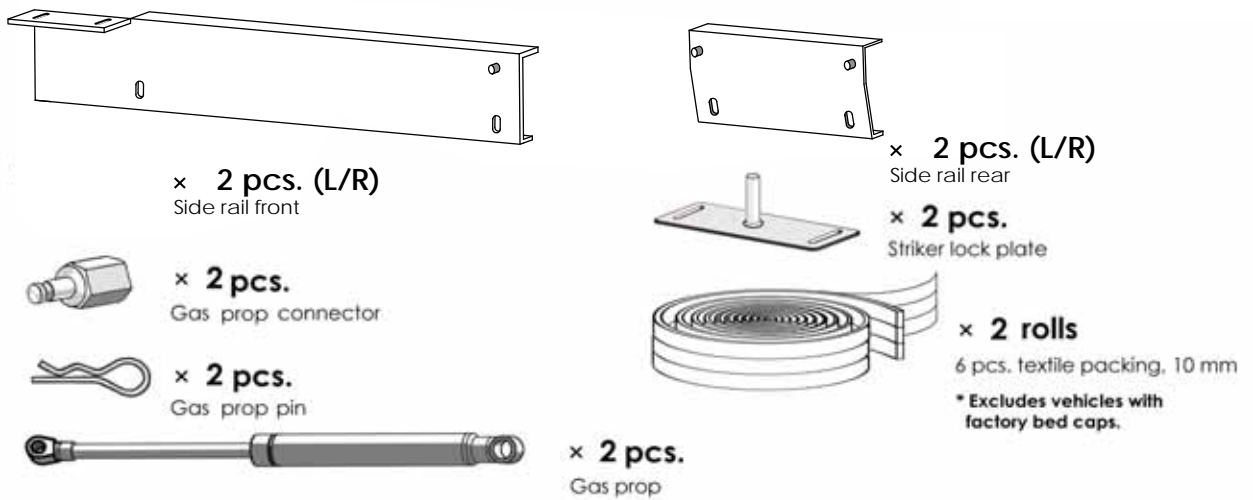
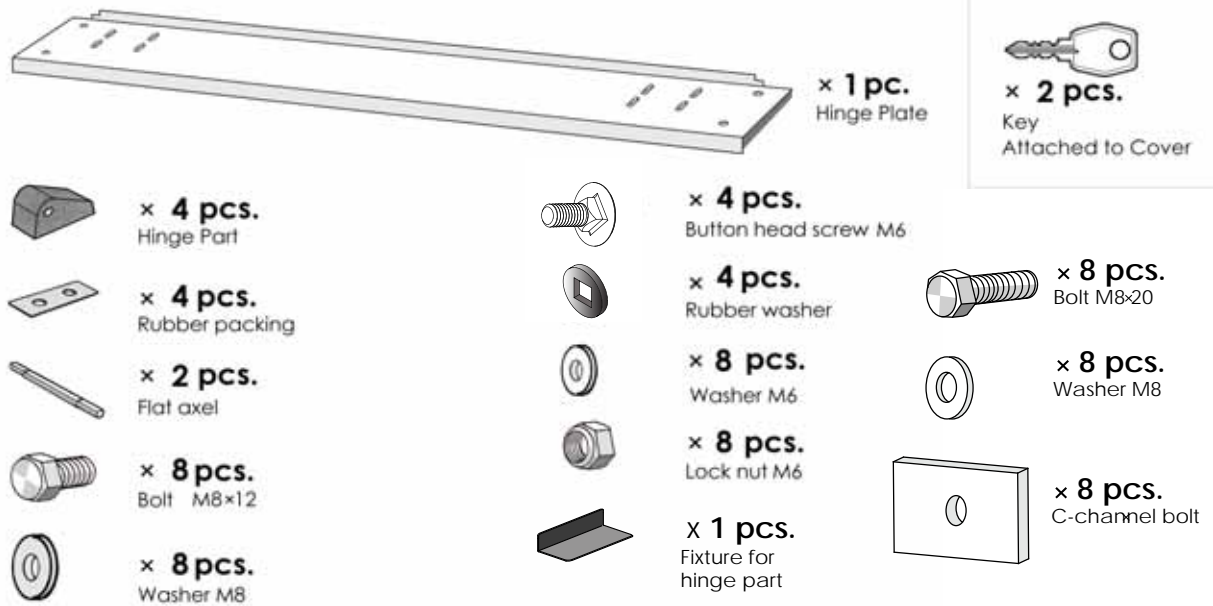
MOUNTAIN TOP COVER INSTALLATION GUIDE



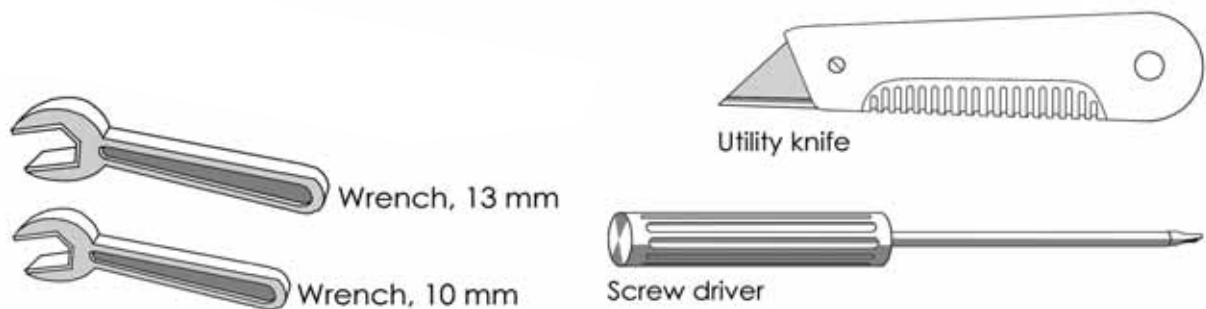
NISSAN C-CHANNEL (C + G)

**MOUNTAIN
INDUSTRIES TOP**

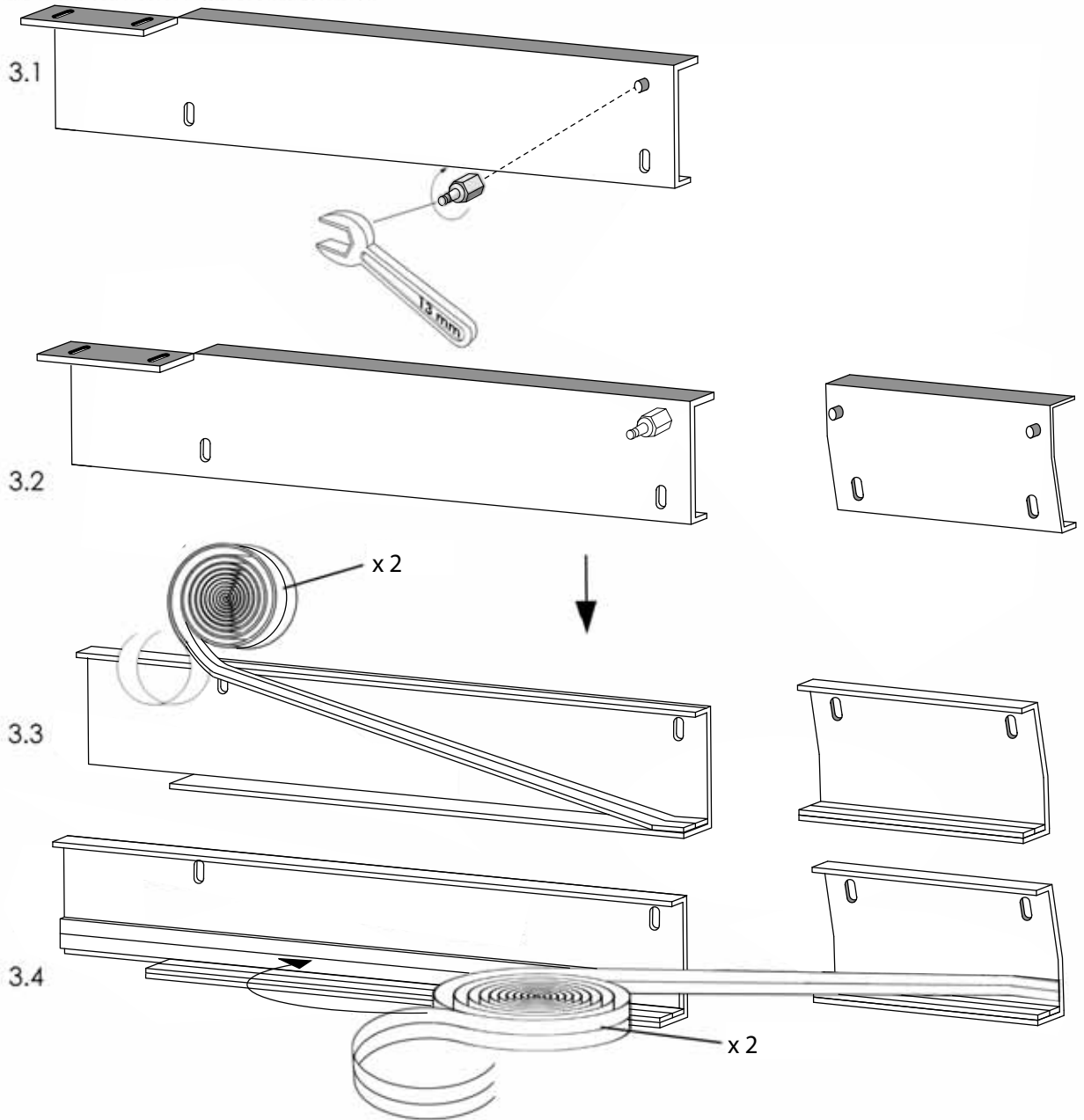
Step 1. Hardware components & descriptions



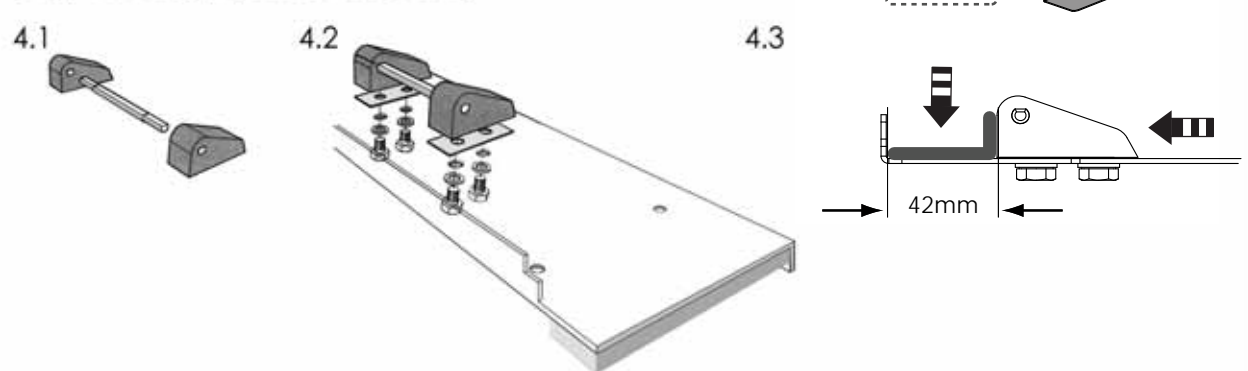
Step 2. Tools required for installation



Step 3. Rail cap assembly

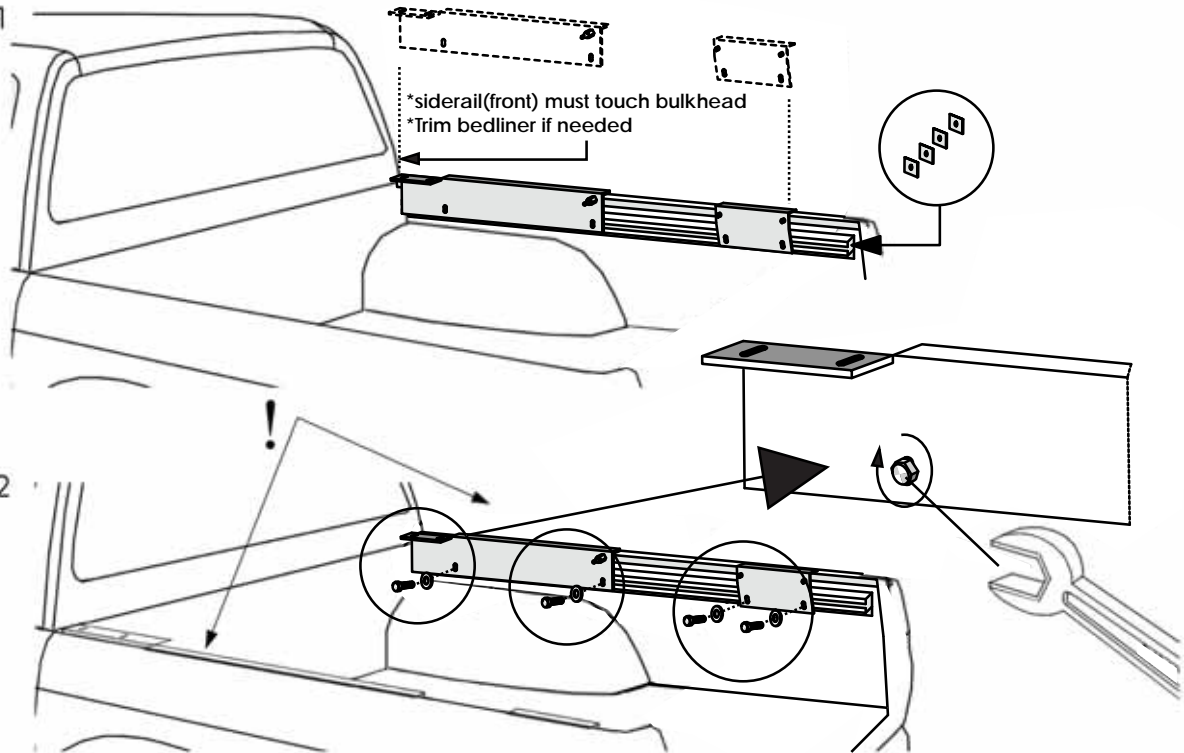


Step 4. Hinge plate assembly



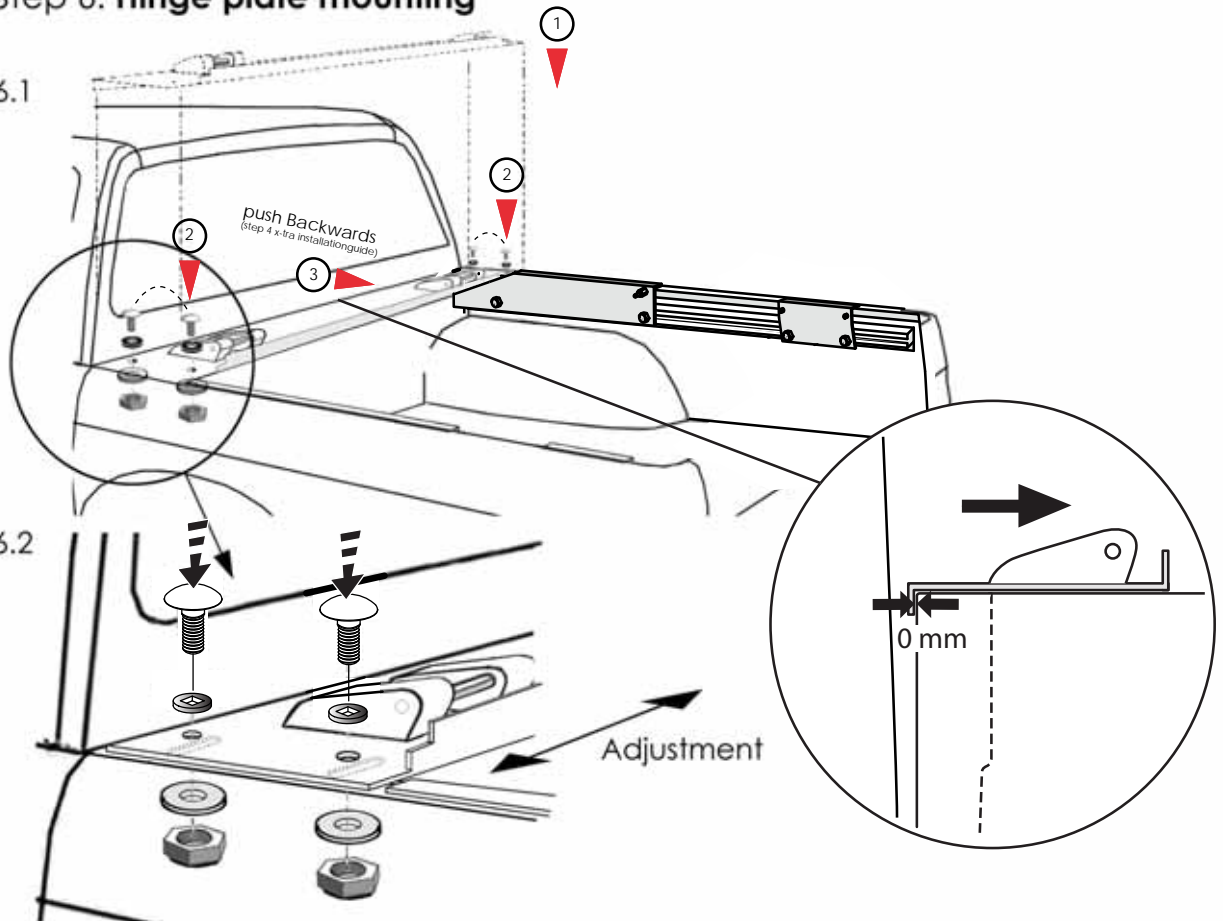
Step 5. Rail cap mounting

5.1



Step 6. Hinge plate mounting

6.1



Step 7. Mountain Top Cover mounting

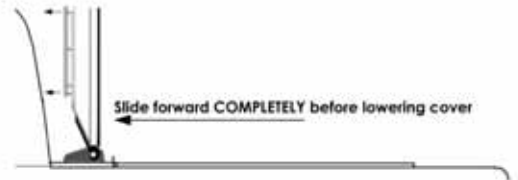
7.1



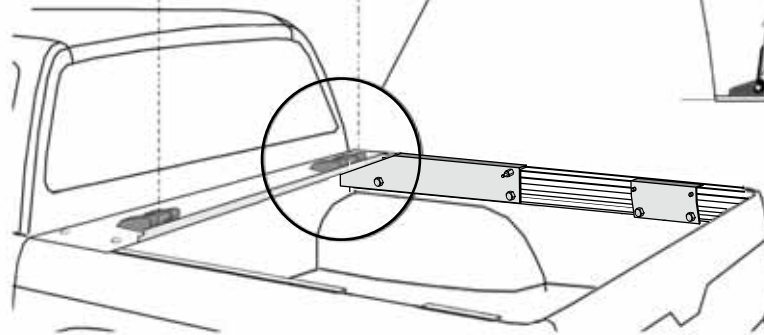
7.2



7.3

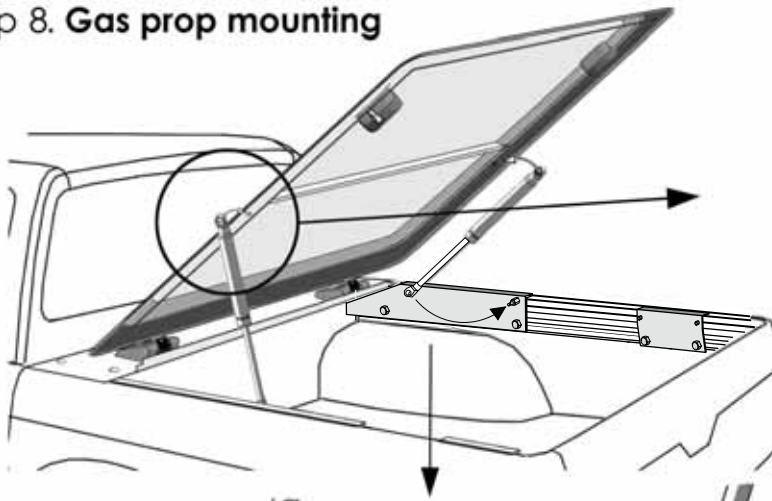


7.4

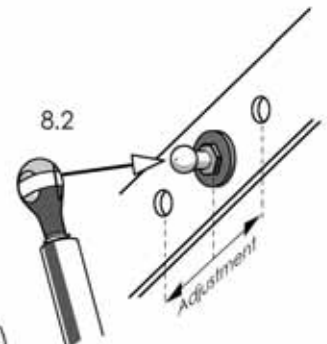


Step 8. Gas prop mounting

8.1



8.2

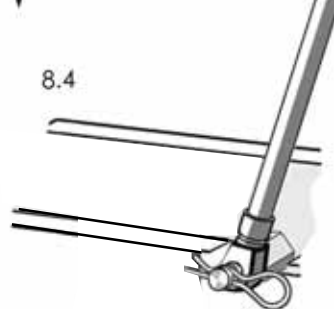


Before disconnecting the gas prop, remove the lock clip with a screw driver.

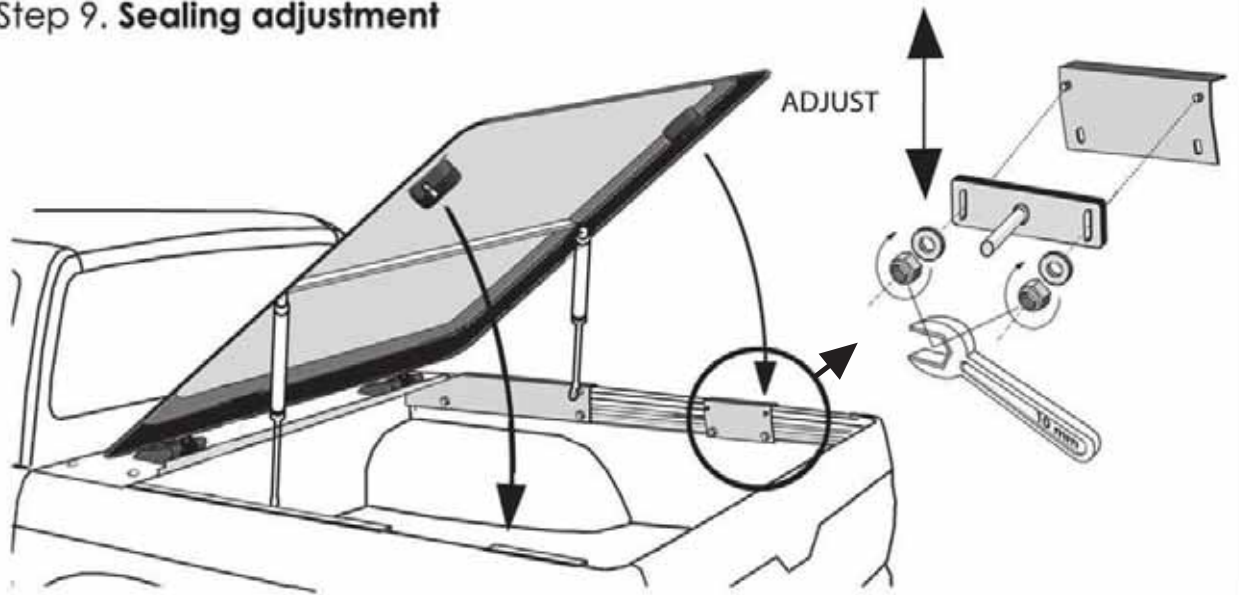
8.3



8.4



Step 9. Sealing adjustment



Step 10. Silicone sealing

