

TOYOTA - HILUX

Tonneau Cover

Installation Instructions



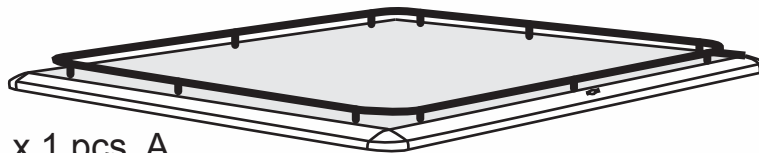
Model Year:	07/2005		
Cab Type:	Double cab / X-tra cab		
Part Number:	PZ4AD-MT700-	3A	Double
	PZ4AD-MT700-	4A	X-tra



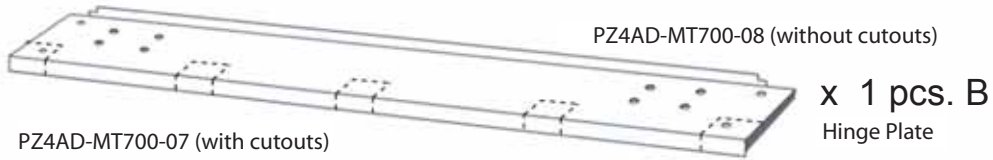
Weight: 31 / 43 kg

Manual reference number 000 448-12 Double / X-tra

Step 1. Hardware components & descriptions



x 1 pcs. A



PZ4AD-MT700-08 (without cutouts)

PZ4AD-MT700-07 (with cutouts)

x 1 pcs. B
Hinge Plate

PZ4AD-MT700-65



x 4 pcs. C
Hinge Part



x 4 pcs. D
Rubber packing



x 2 pcs. E
Flat axel



x 8 pcs. F
Bolt M8x12



x 8 pcs. G
Washer M8

PZ4AD-MT700-62



x 2 pcs. H
Side rail track (back)



x 6 pcs. I
Textile packing, 10 mm



x 2 pcs. J
Side rail track (front)

PZ4AD-MT700-03



x 2 pcs. K
Gas prop pin



x 2 pcs. L
Gas prop connector



x 2 pcs. M
Gas prop

PZ4AD-MT700-05



x 2 pcs. N
Striker lock plate



x 1 pcs. O
Template



x 8 pcs. U
Clamp



Key x 2 pcs. P
Attached to Cover

PZ4AD-MT700-64



x 4 pcs. Q
Button head screw M6



x 4 pcs. R
Rubber washer



x 8 pcs. S
Washer M6



x 8 pcs. T
Lock nut M6

PZ4AD-MT700-10



x 2 pcs. X
Lock bracket



x 4 pcs. Y
Rivet 4,8 mm



x 2 pcs. Z
Lock angle bracket



x 4 pcs. Ω
Bolt M5 x 10



x 4 pcs. Σ
Washer M5



x 1 pcs. α

MTI-number
882 145

Issue
11

Partnumber
PZ4AD-MT700 - 3A - 4A

Manual ref. number
000 448-12

Date
11/01/11

Cab Type
D/C - X/C

Page
2/12

Pedersholmparken 10

3600 Frederikssund

Denmark

ph: +45 4810 2950

Fax +45 4810 2960

www.mountaintop.dk

Step 2. Tools required for installation



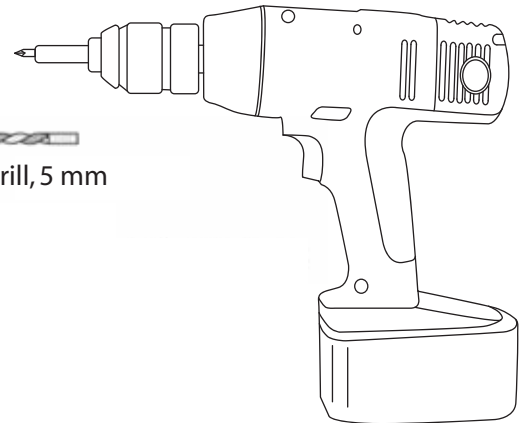
Wrench, 10 mm



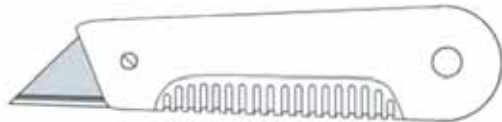
Wrench, 13 mm (2pcs.)



Wrench, 9/16" (15 mm)



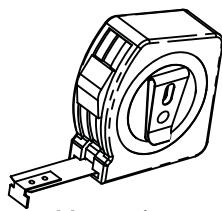
Drill, 5 mm



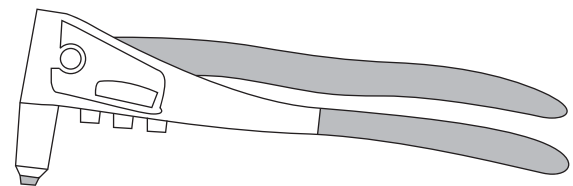
Utility knife



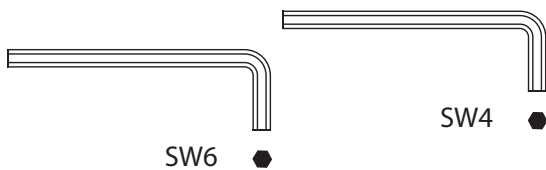
Rust protection
Rostschutzmittel
Anti-rouille
Anti roest



Measuring tape



Pop rivet gun



SW6

SW4

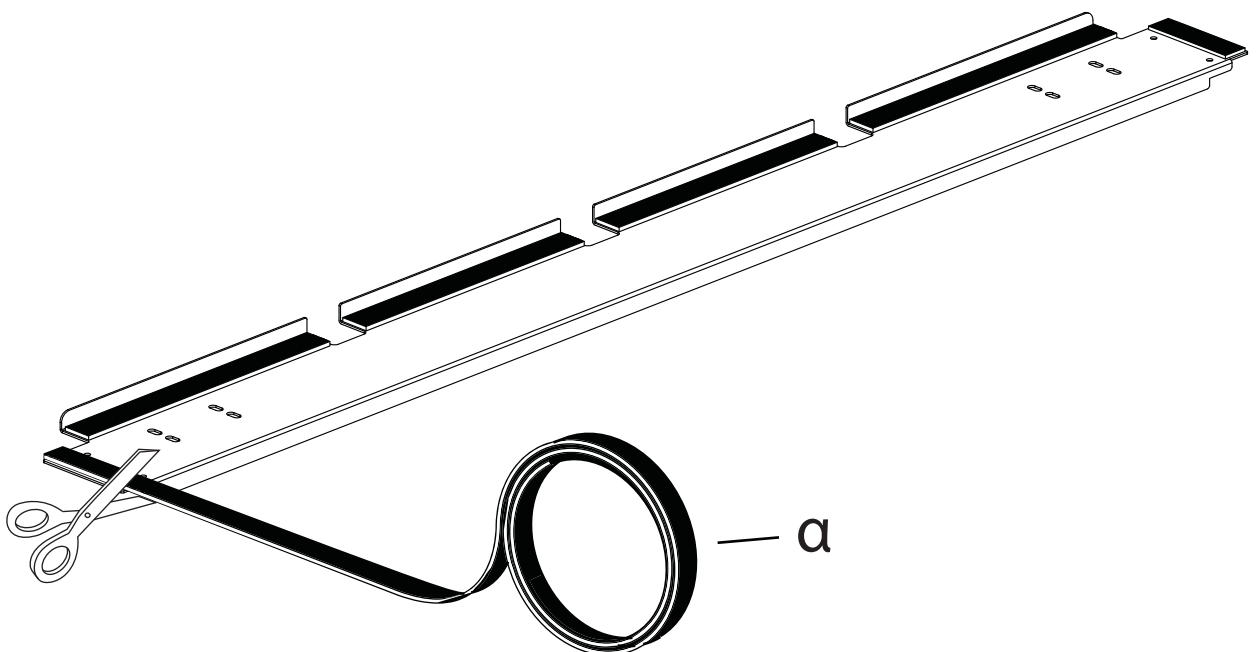
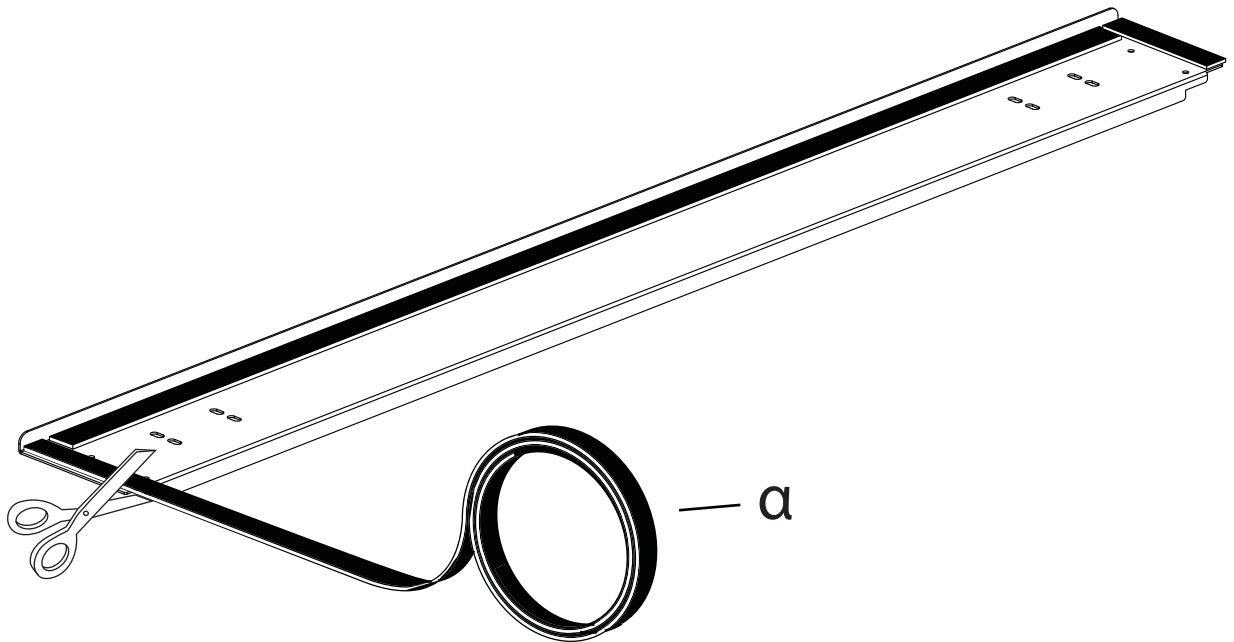


Screw driver

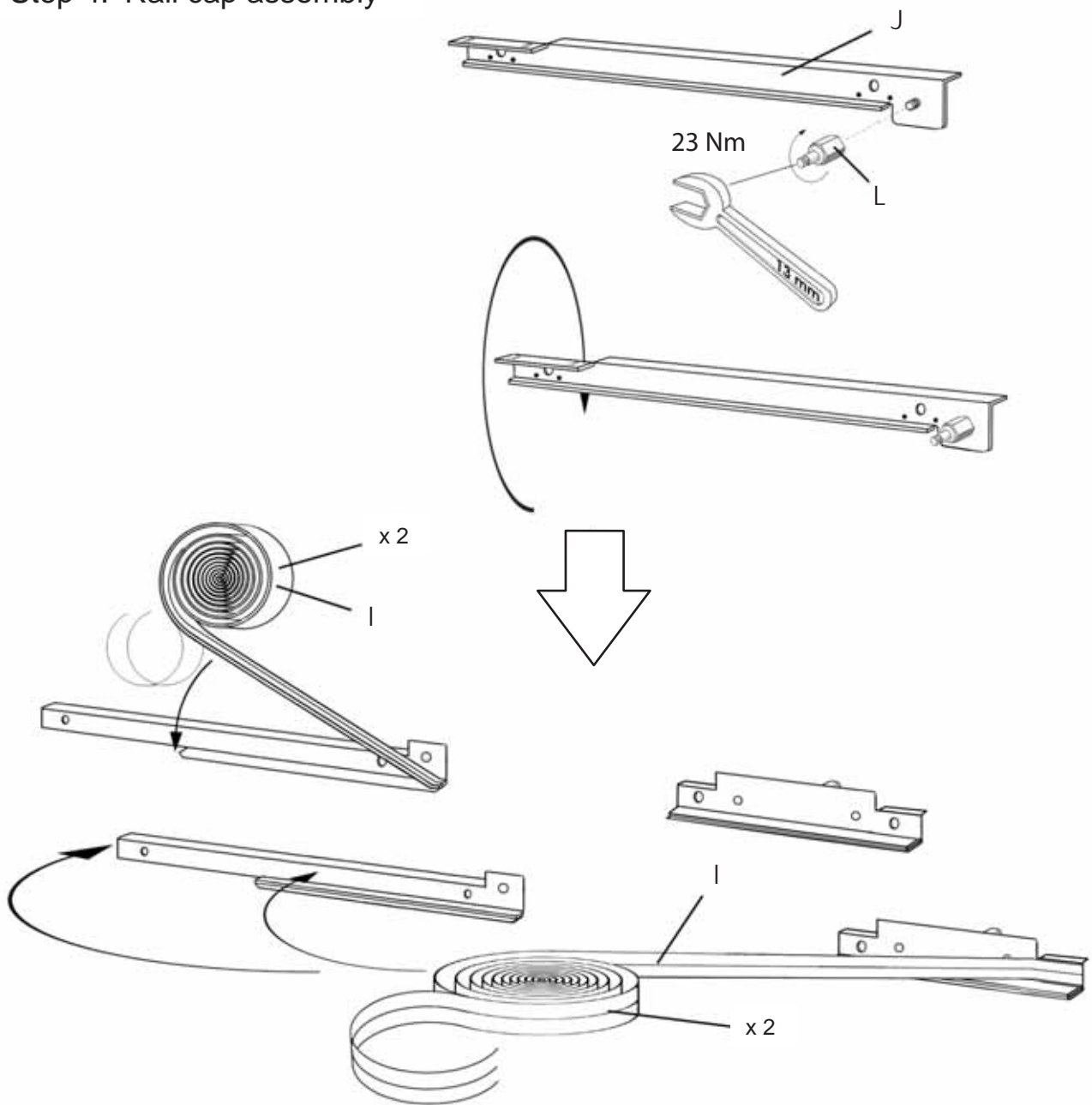


Black

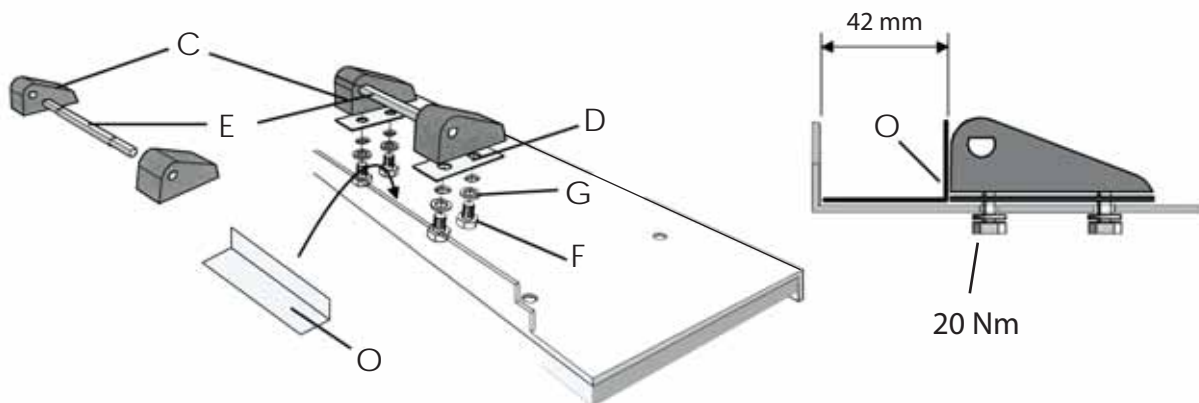
Step 3. B: Hinge plate sealing



Step 4. Rail cap assembly



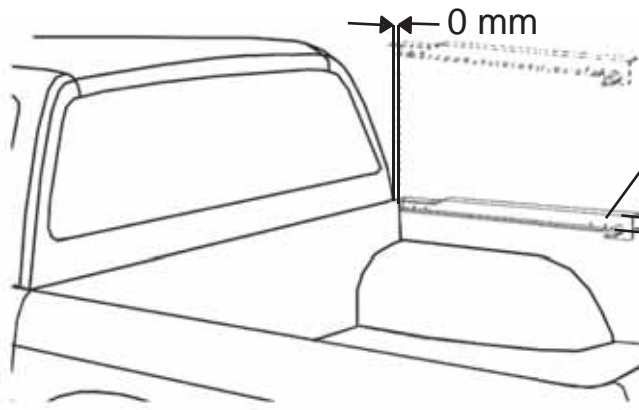
Step 5. Hinge plate assembly



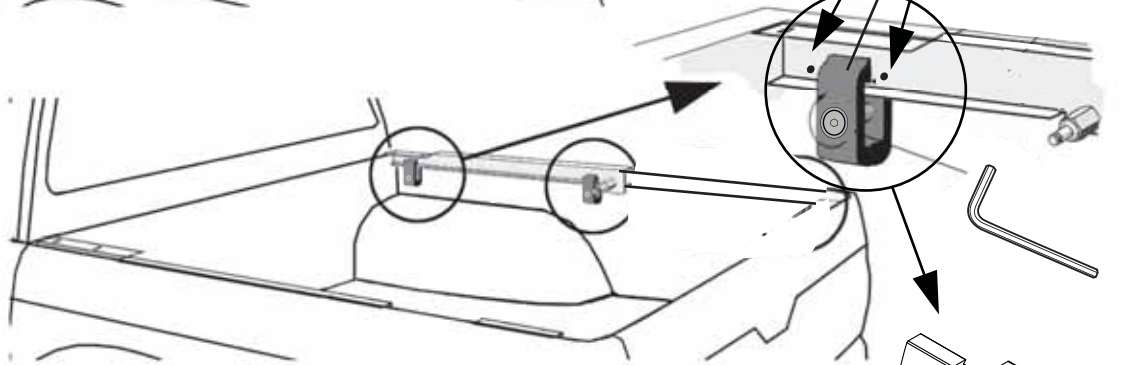
MTI-number 882 145	Issue 11	Partnumber PZ4AD-MT700 - 3A - 4A	Manual ref. number 000 448-12	Date 11/01/11	Cab Type D/C - X/C	Page 5/12
Pedersholmparken 10		3600 Frederikssund	Denmark	ph: +45 4810 2950	Fax +45 4810 2960	www.mountaintop.dk

Step 6. Rail cap mounting

6.1

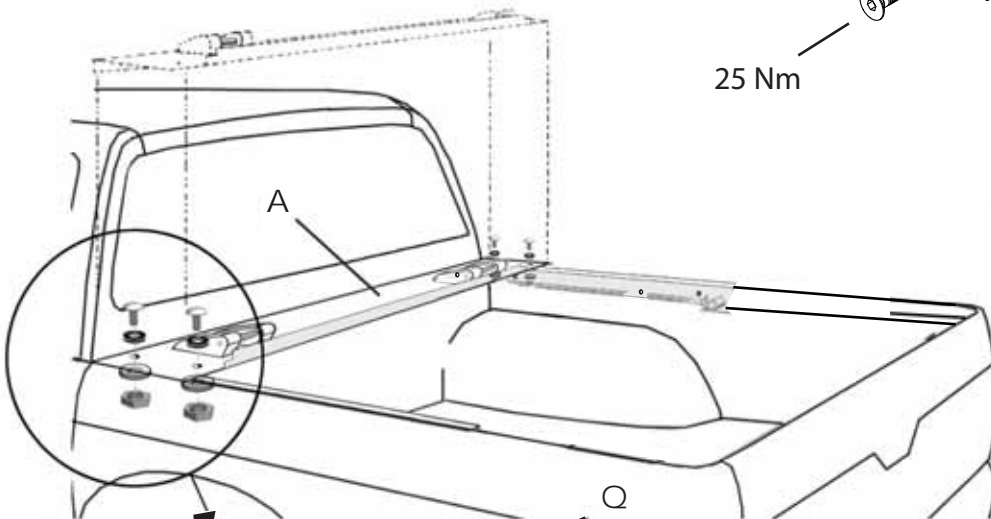


6.2

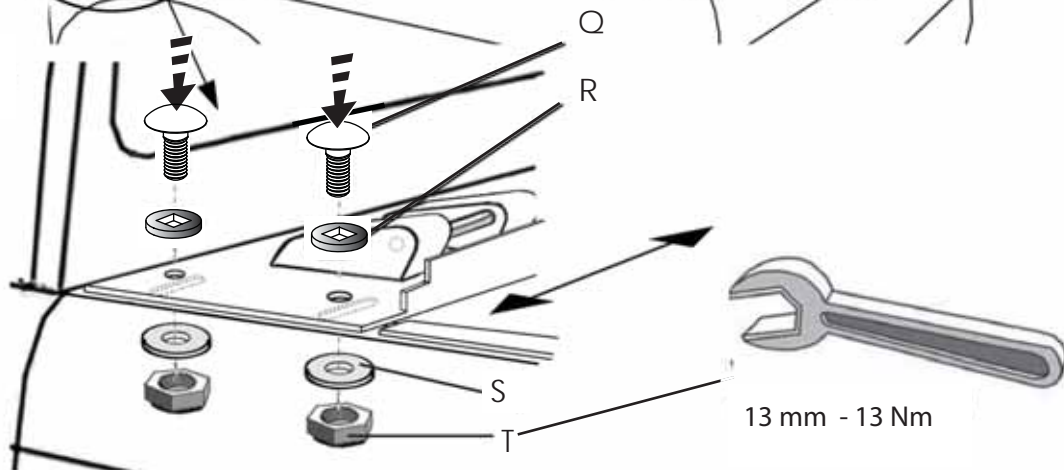


Step 7. Hinge plate mounting

7.1

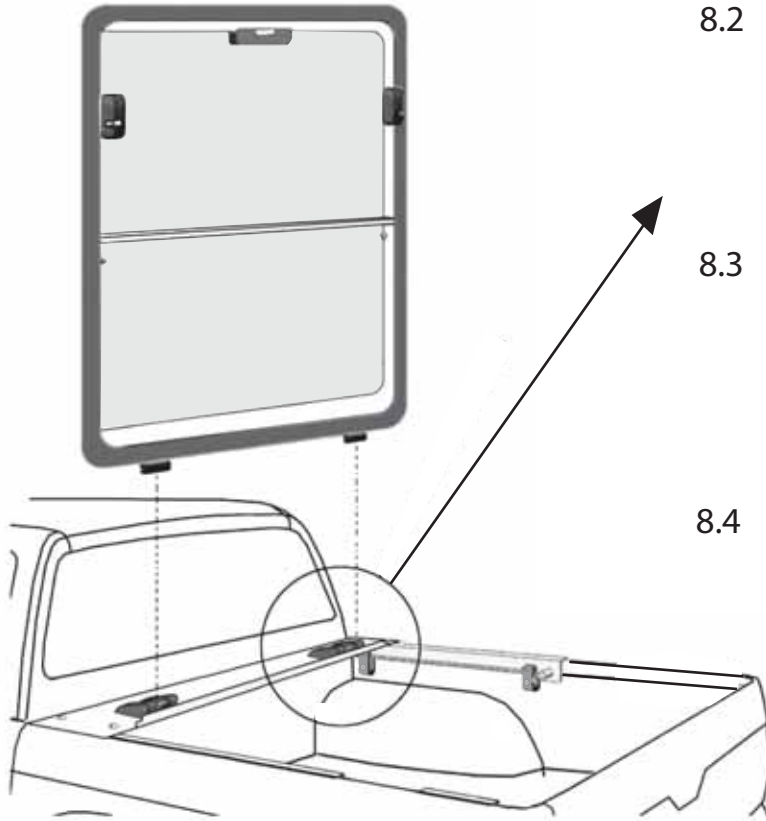


7.2

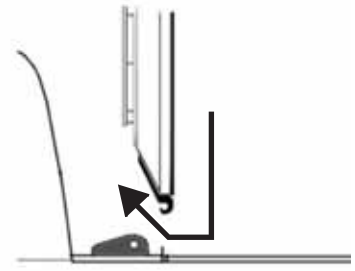


Step 8. Mountain Top Cover mounting

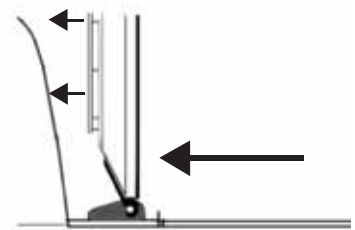
8.1



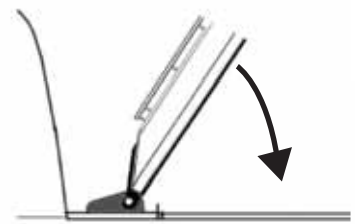
8.2



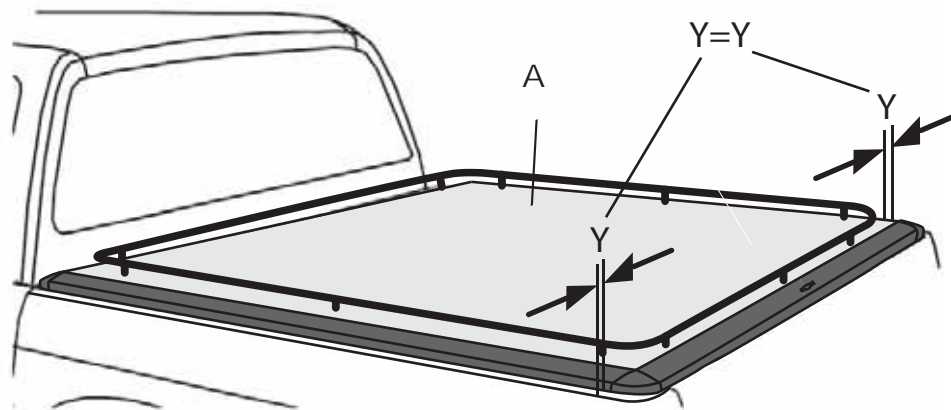
8.3



8.4

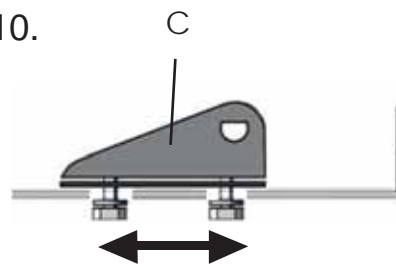


Step 9. Mountain Top Cover adjusting

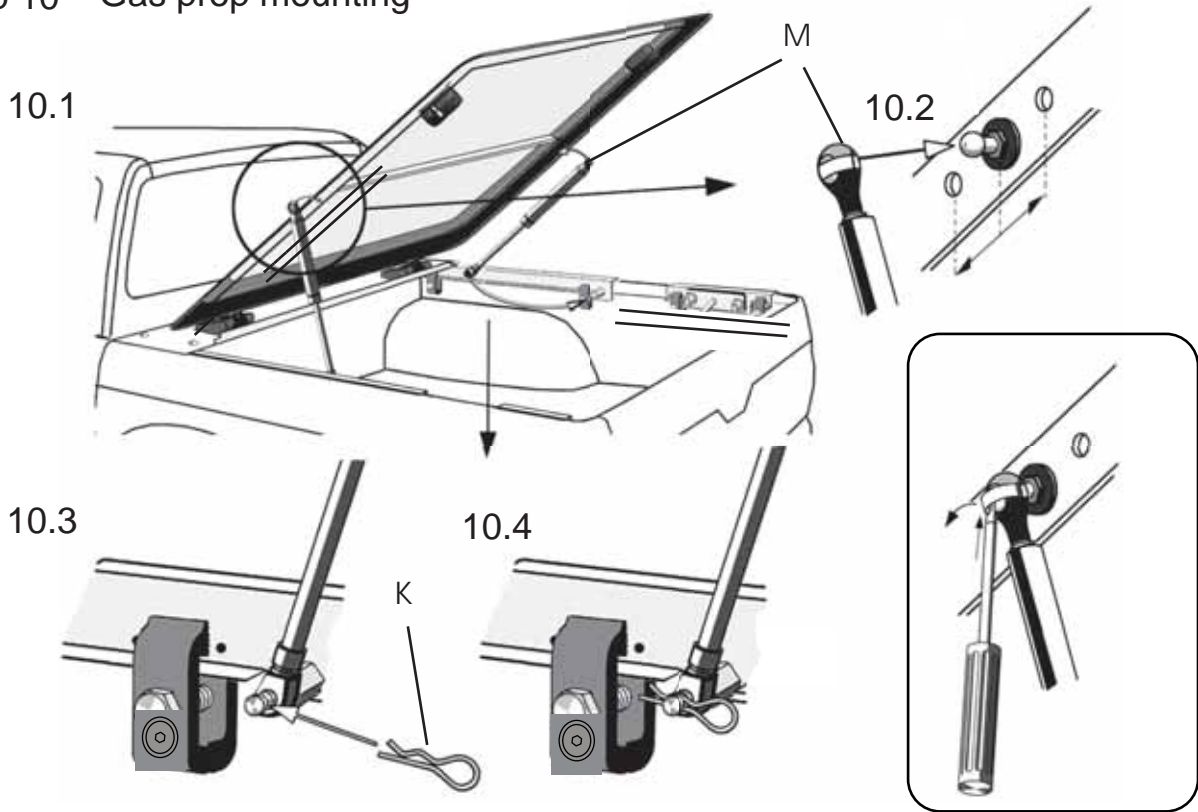


Y=Y → Step 10.

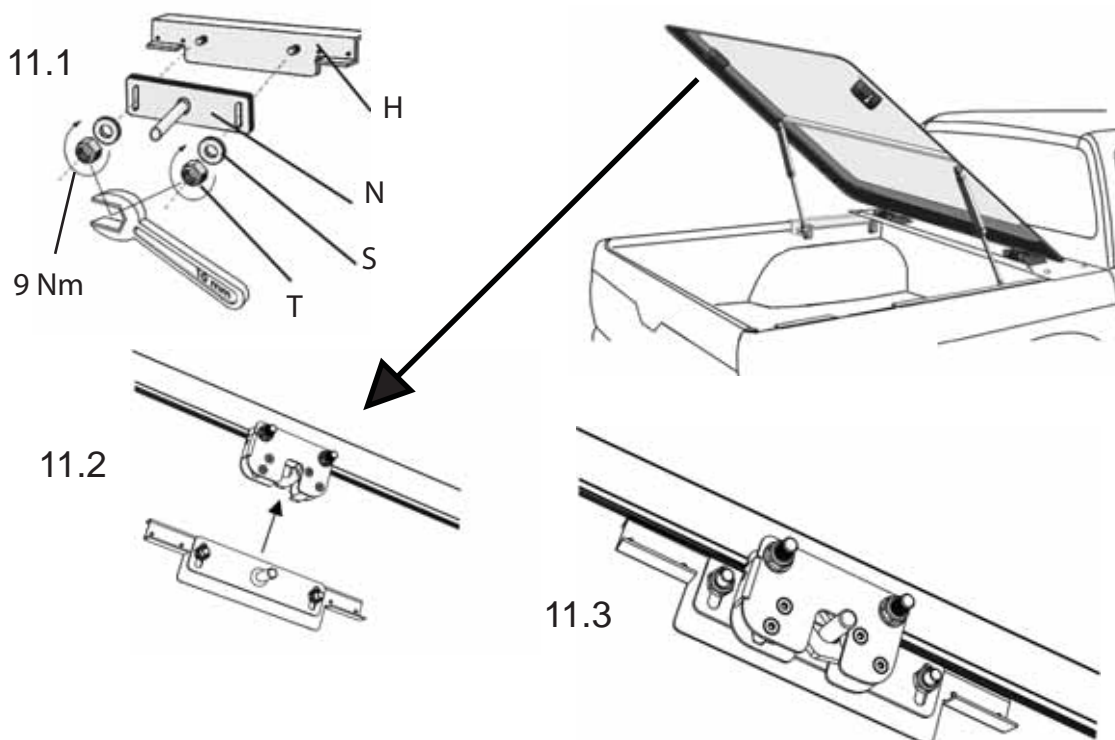
Y≠Y →



Step 10 Gas prop mounting

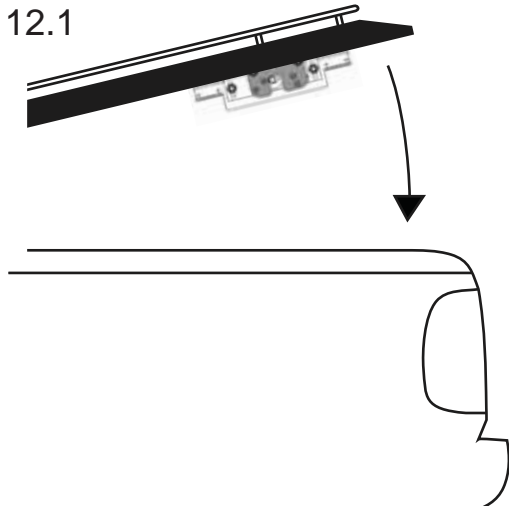


Step 11. Back side rail placement

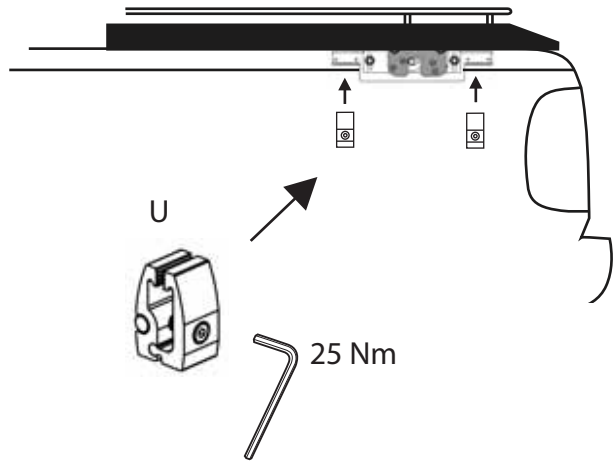


Step 12. Back side rail mounting

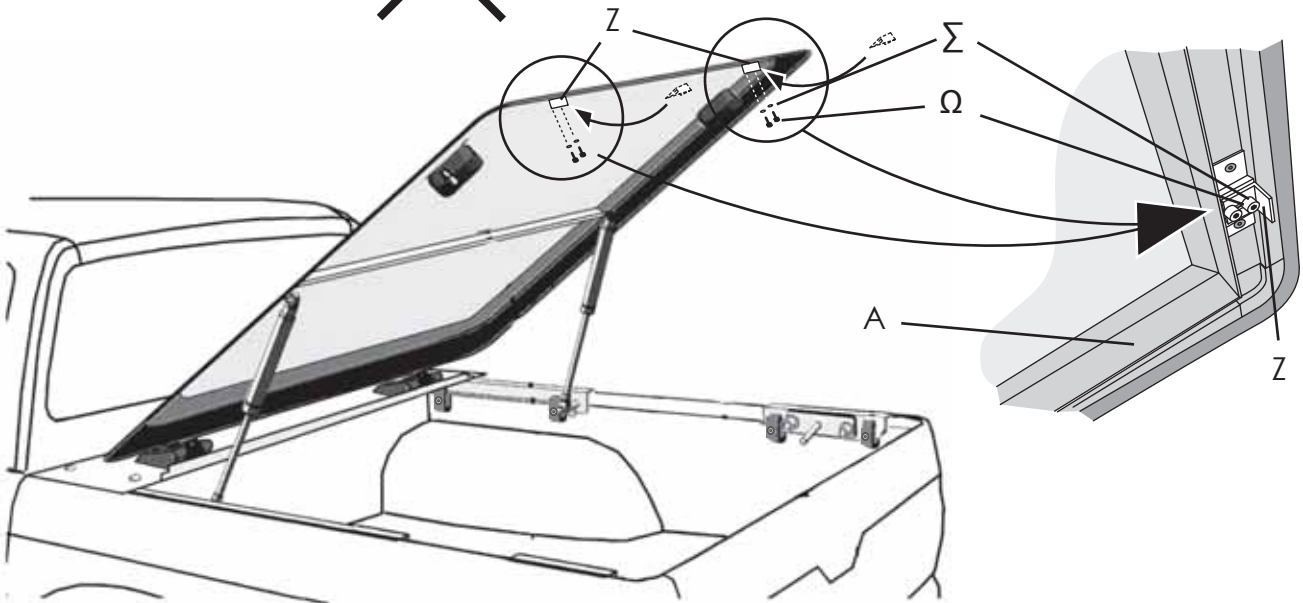
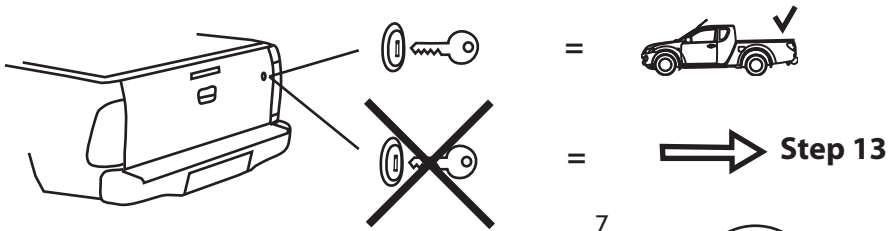
12.1



12.2

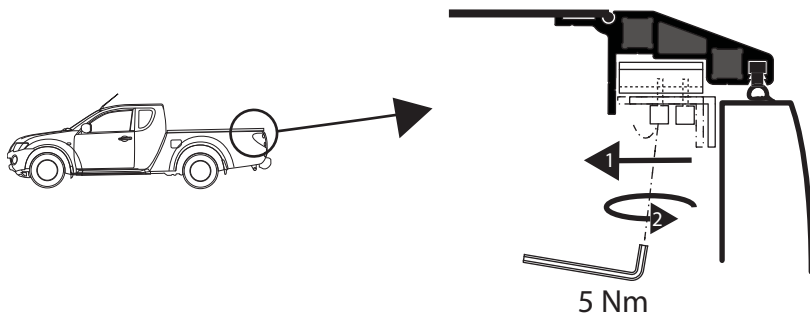
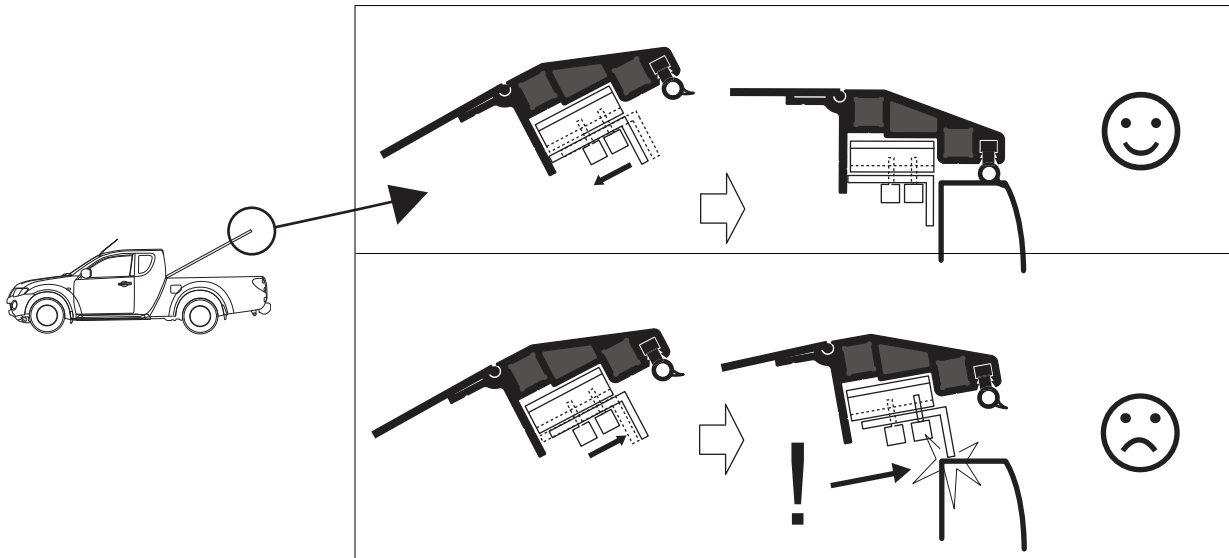


Step 13. Lock angle bracket mounting

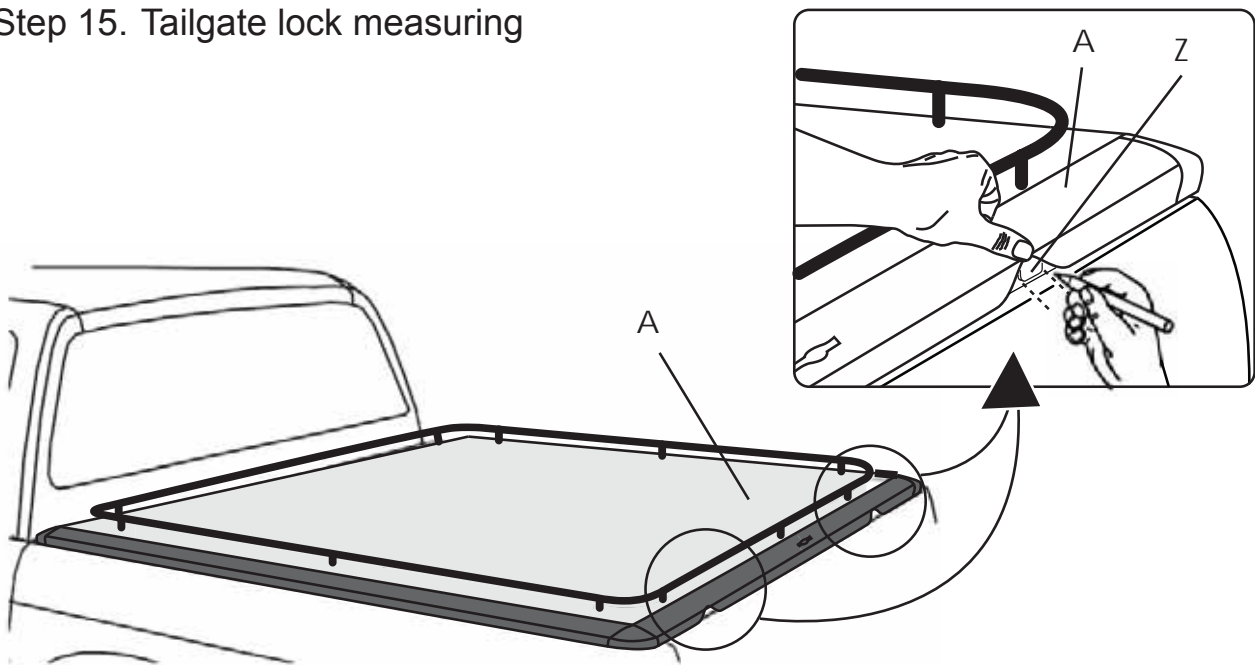


MTI-number 882 145	Issue 11	Partnumber PZ4AD-MT700 - 3A - 4A	Manual ref. number 000 448-12	Date 11/01/11	Cab Type D/C - X/C	Page 9/12
Pedersholmparken 10		3600 Frederikssund	Denmark	ph: +45 4810 2950	Fax +45 4810 2960	www.mountaintop.dk

Step 14. Tailgate lock adjusting

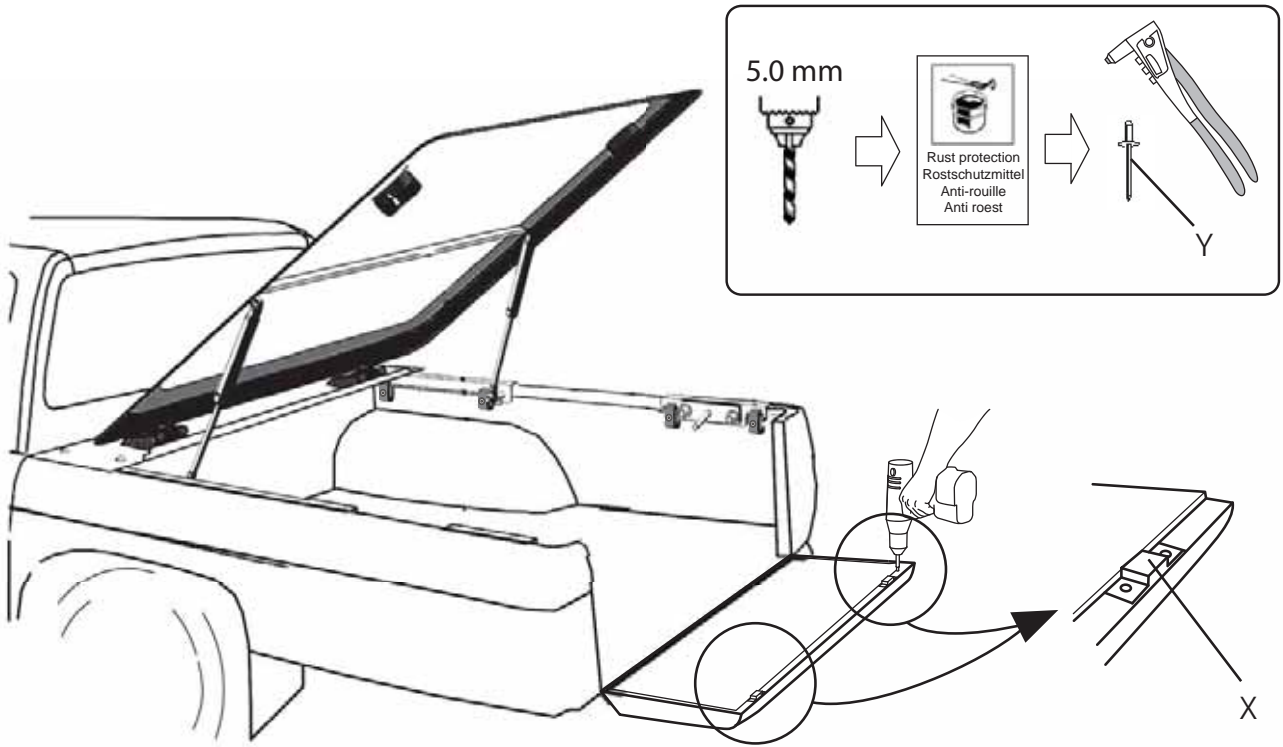


Step 15. Tailgate lock measuring

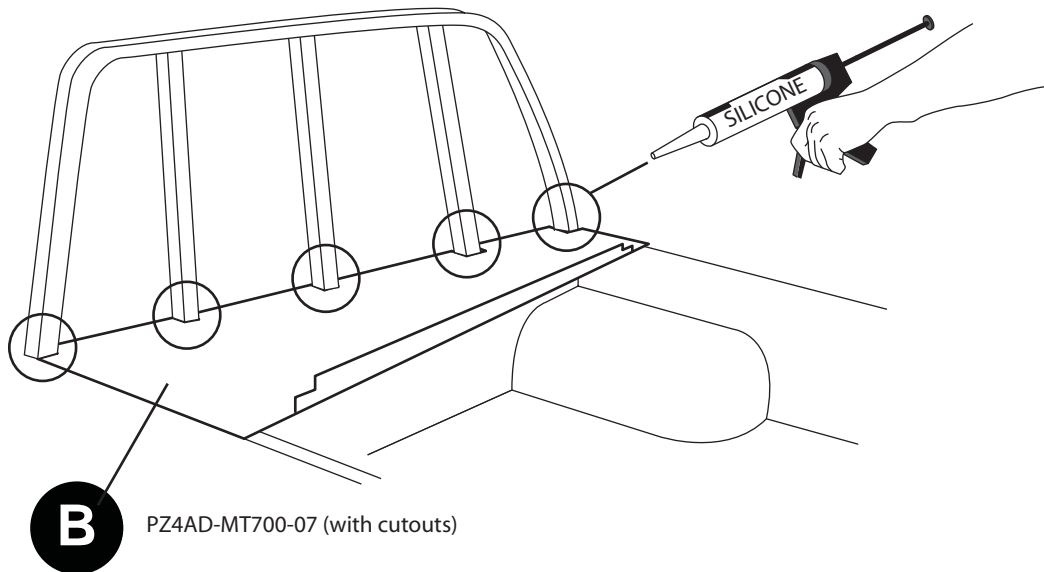


MTI-number 882 145	Issue 11	Partnumber PZ4AD-MT700 - 3A - 4A	Manual ref. number 000 448-12	Date 11/01/11	Cab Type D/C - X/C	Page 10/12
Pedersholmparken 10		3600 Frederikssund	Denmark	ph: +45 4810 2950	Fax +45 4810 2960	www.mountaintop.dk

Step 16. Tailgate lock mounting



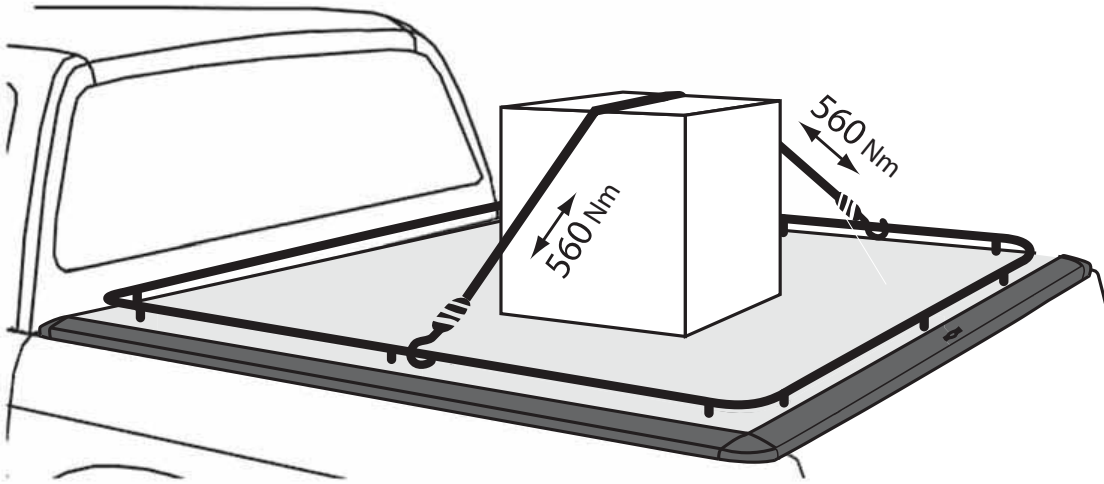
Step 17. Hinge plate final sealing



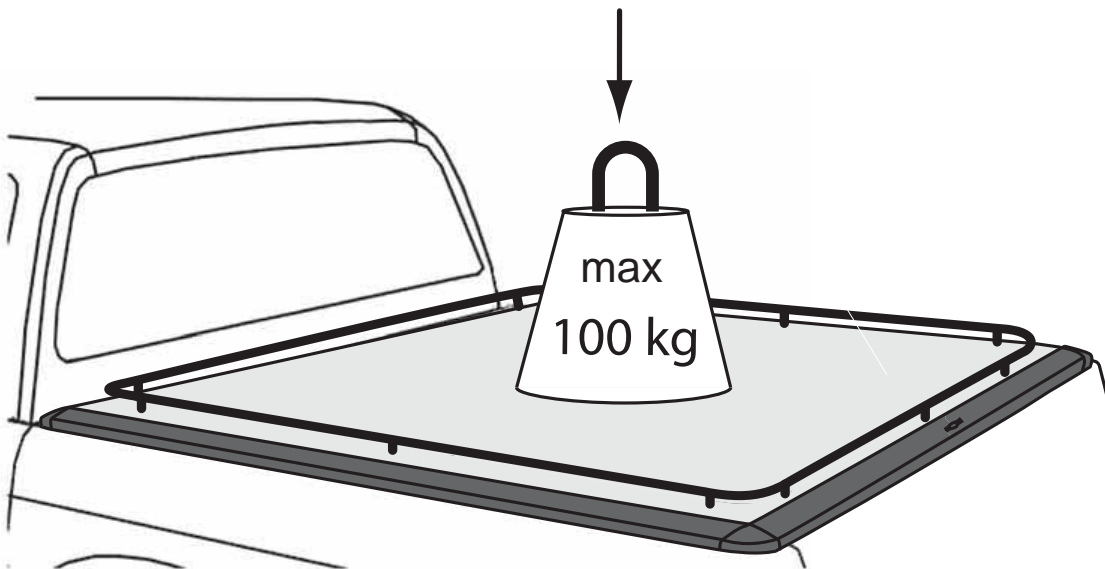
MTI-number 882 145	Issue 11	Partnumber PZ4AD-MT700 - 3A - 4A	Manual ref. number 000 448-12	Date 11/01/11	Cab Type D/C - X/C	Page 11/12
Pedersholmparken 10		3600 Frederikssund	Denmark	ph: +45 4810 2950	Fax +45 4810 2960	www.mountaintop.dk



Cargo pull limit



Cargo max load



MTI-number 882 145	Issue 11	Partnumber PZ4AD-MT700 - 3A - 4A	Manual ref. number 000 448-12	Date 11/01/11	Cab Type D/C - X/C	Page 12/12
Pedersholmparken 10		3600 Frederikssund	Denmark	ph: +45 4810 2950	Fax +45 4810 2960	www.mountaintop.dk