

Floor Walls for Mountain Top[®] Slide

Installation manual

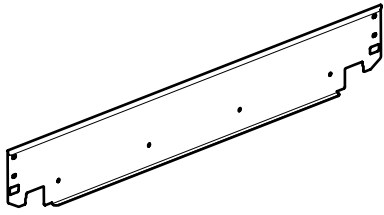


DOWNLOAD PDF



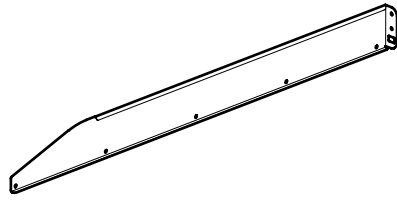
Parts

A



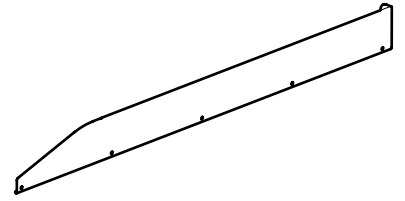
x 1

B



x 1

C

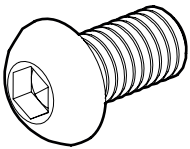


x 1



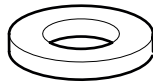
Kit

D



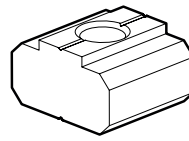
x 18

E



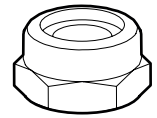
x 22

F



x 14

G

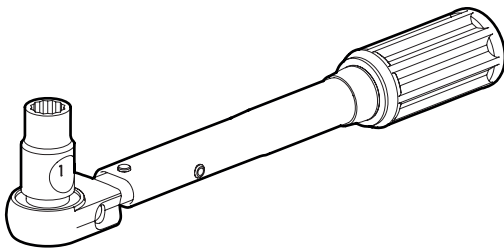


x 4



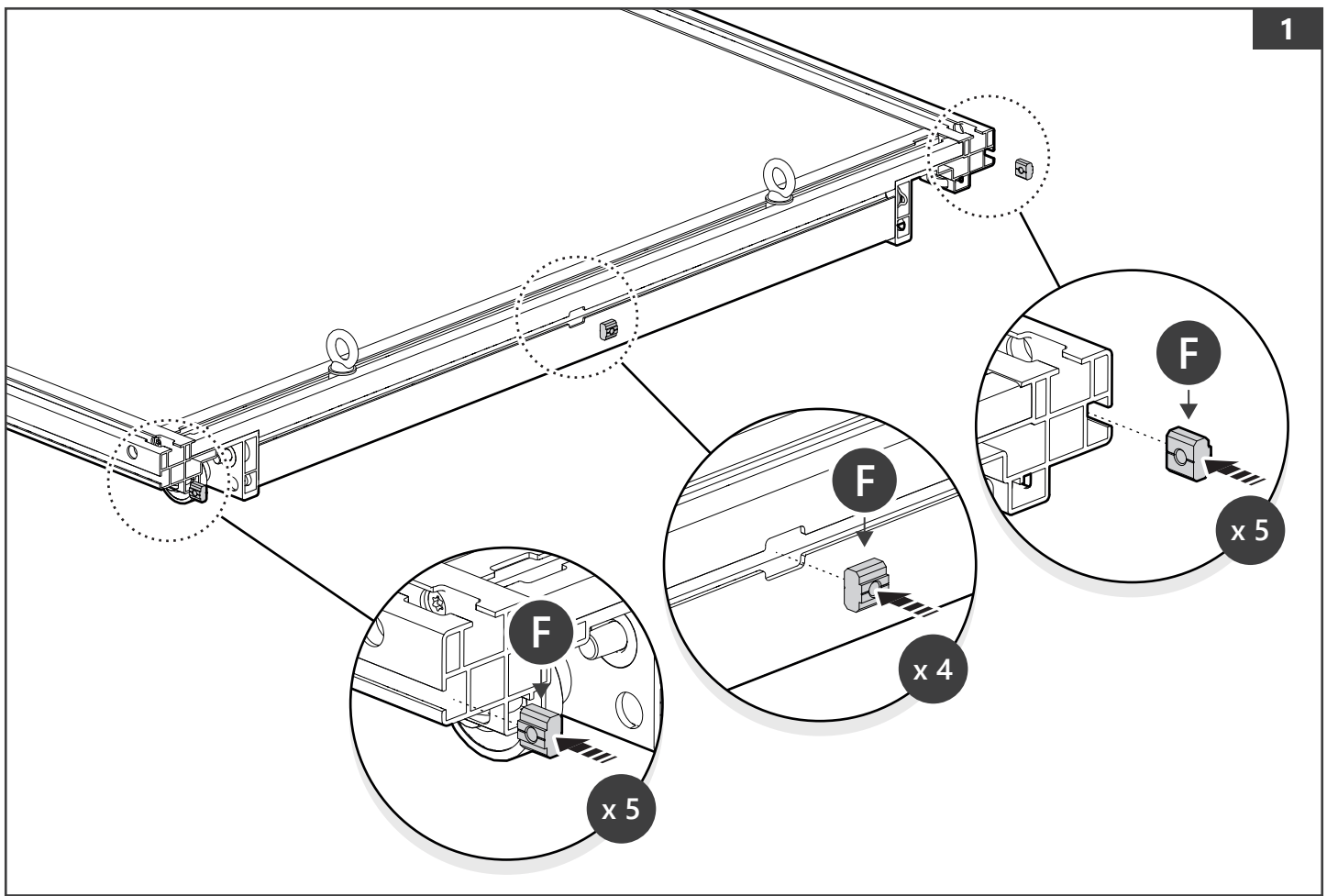
Tools and materials needed

1-25 Nm

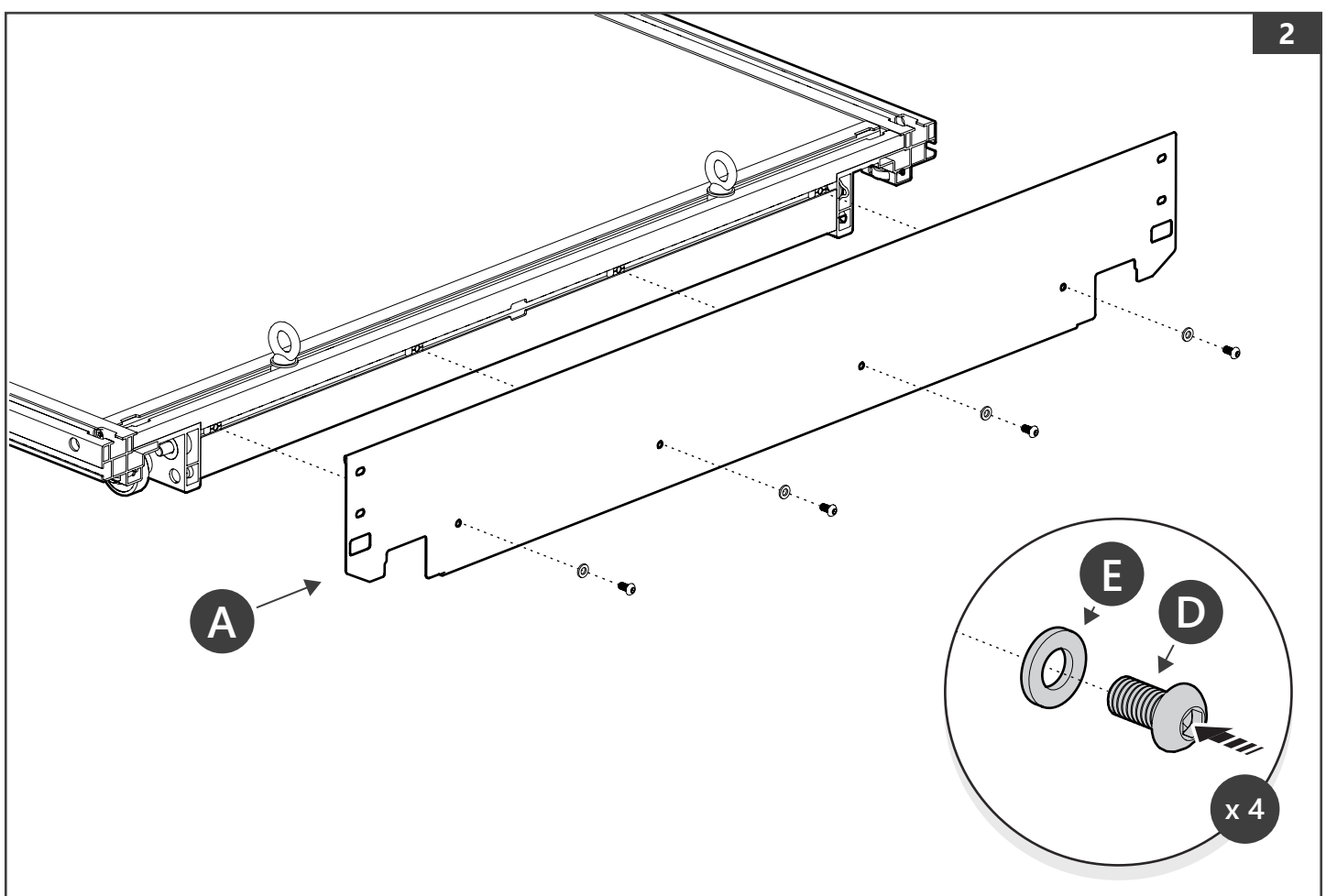


⊙ 5 mm

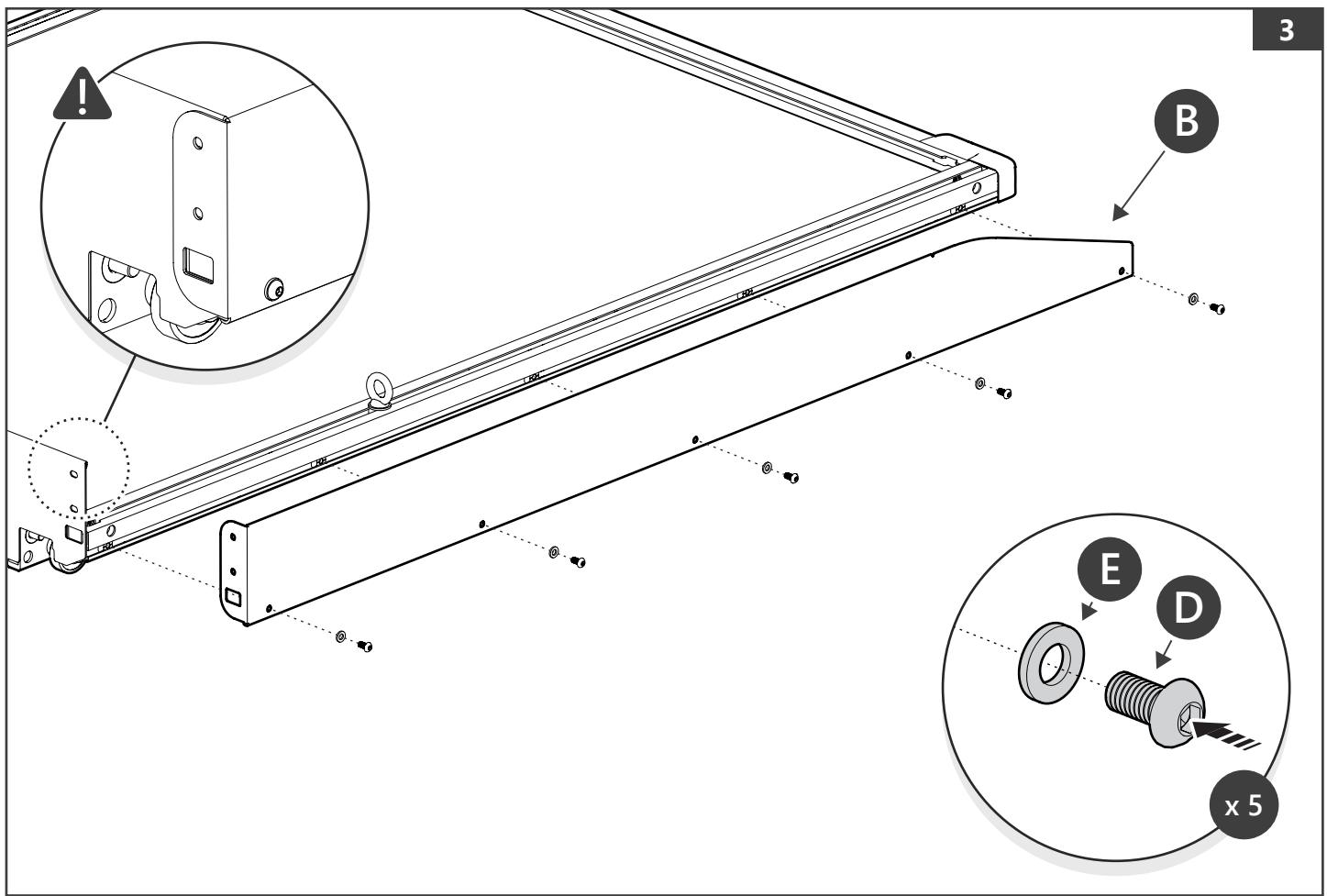
1



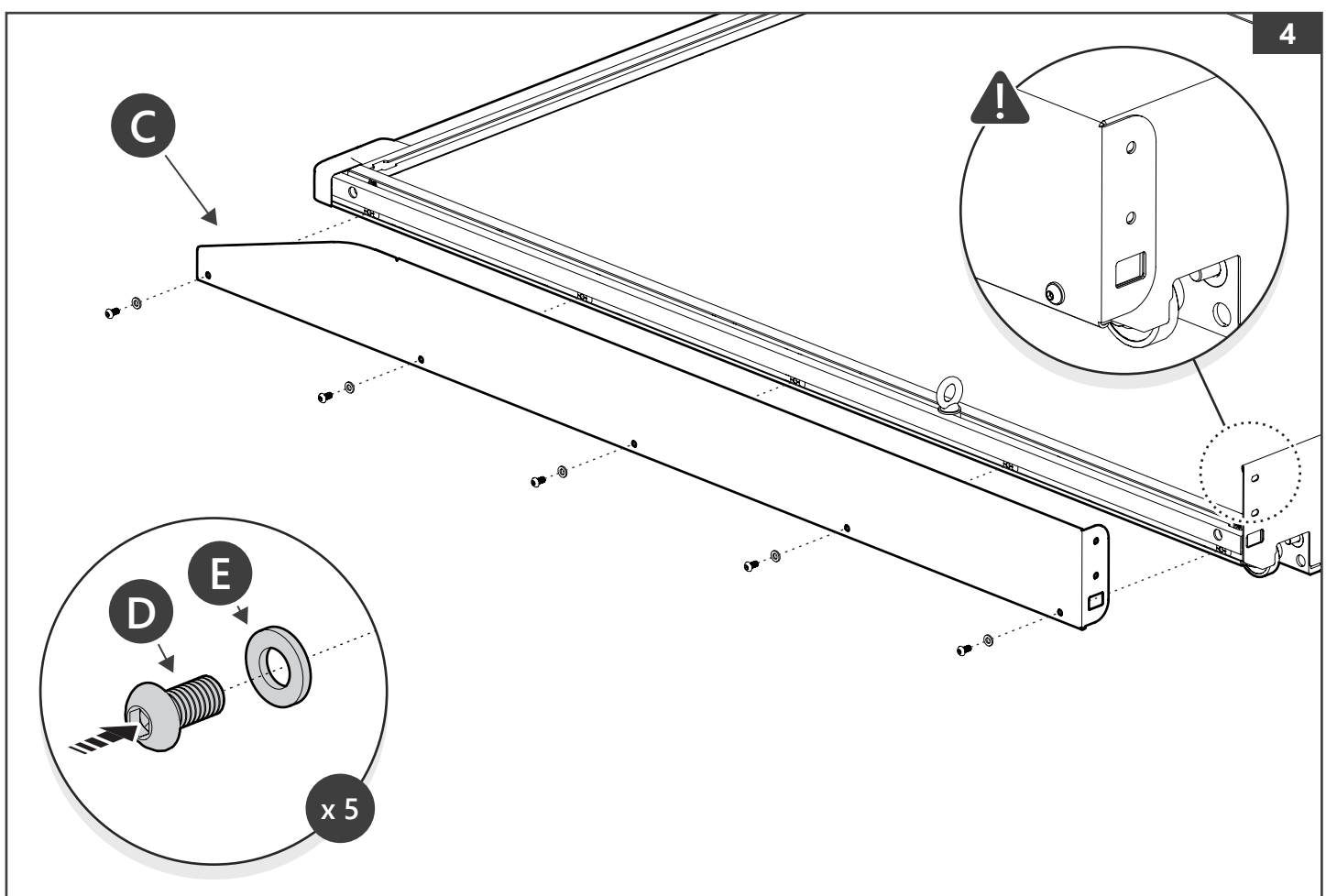
2

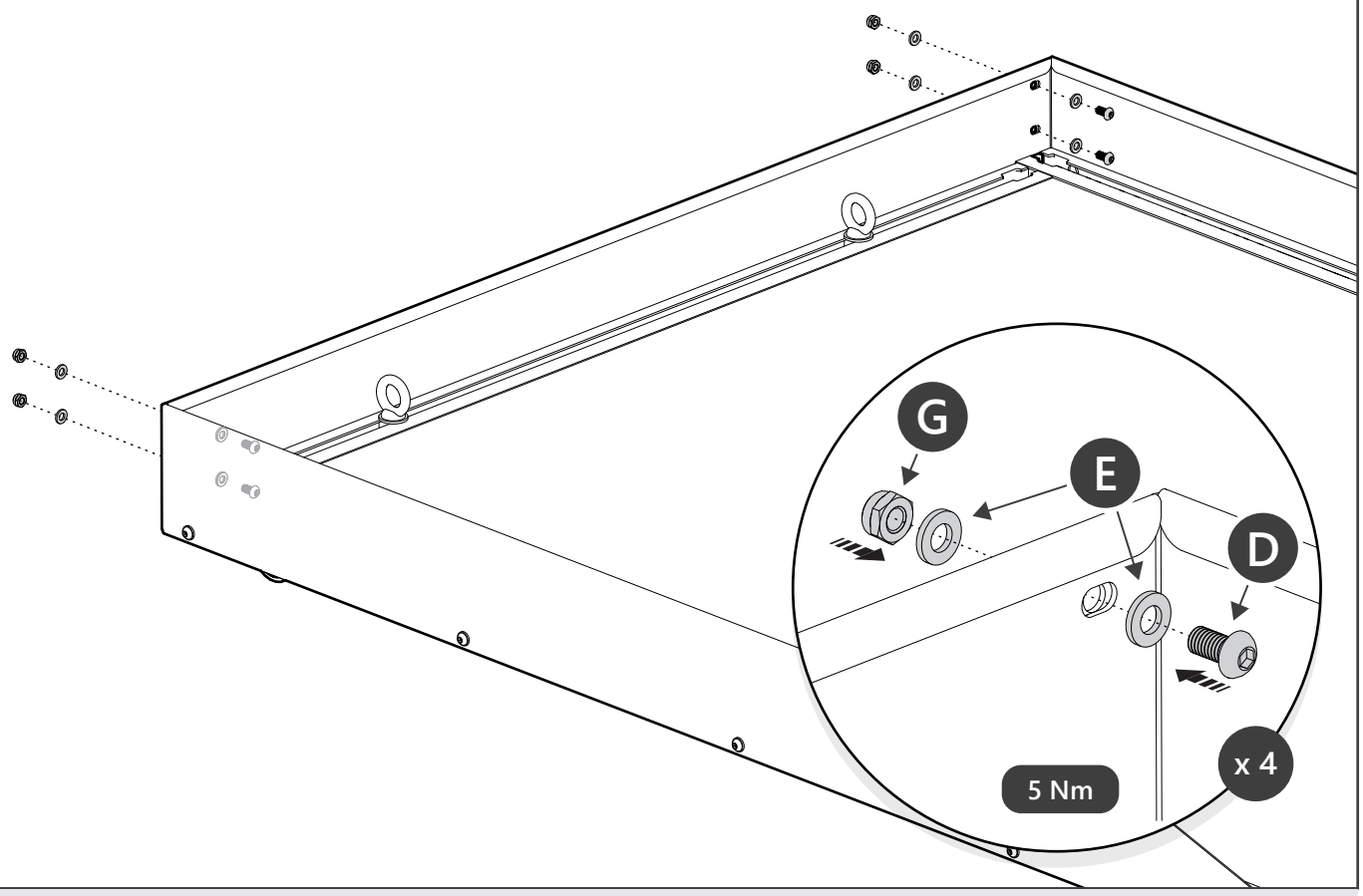
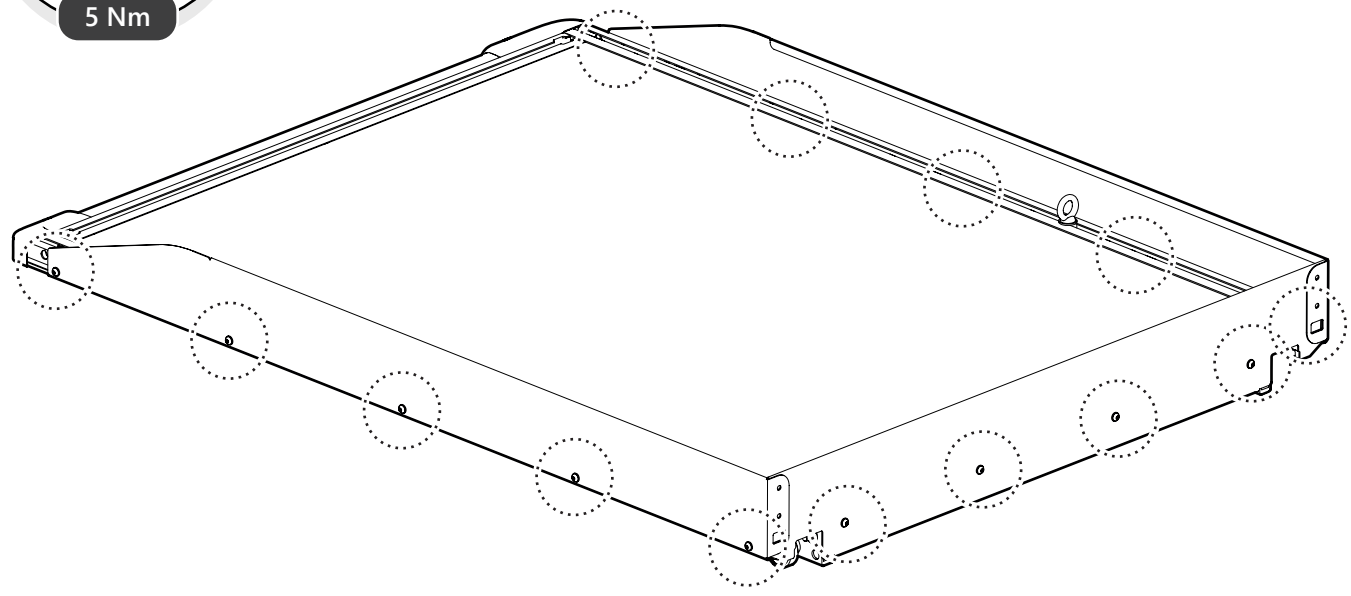
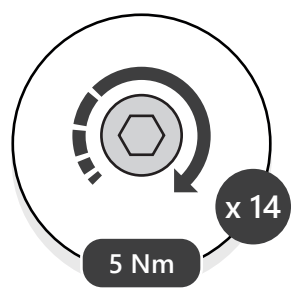


3



4







Customer Service +45 4810 2950 (08:00 - 16:00 CET)
Support info@mountaintop.dk
Website www.mountaintop.dk
Address Pedersholmparken 10, 3600 Frederikssund, Denmark

PART NUMBER(S)	MODEL / YEAR	CAB TYPE(S)	INSTALLATION TIME	WEIGHT
TO80/81/82	Toyota / 2006 - 2016	Double / Extra / Single	30 minute(s)	5 Kg
TO90/91/92	Toyota / 2015 →	Double / Extra / Single	30 minute(s)	5 Kg
IS90/91	Isuzu / 2006 - 2011	Double / Space	30 minute(s)	5 Kg
FO90/91	Ford / 2011 →	Double / Super	30 minute(s)	5 Kg
MI90/91	Mitsubishi / 2015 →	Double / Club	30 minute(s)	5 Kg
MA90/91	Mazda / 2011 →	Double / Super	30 minute(s)	5 Kg
NI90/91	Nissan / 2015 →	Double / King	30 minute(s)	5 Kg
VW80	Volkswagen / 2010 →	Double	30 minute(s)	5 Kg
MB90	Mercedes / 2017 →	Double	30 minute(s)	5 Kg
RE90/91	Renault / 2017 →	Double / King	30 minute(s)	5 Kg
VLL5Z 9940380 B	Ford / 2022 →	Double	30 minute(s)	5 Kg
VN1WZ99113C37 D	Ford / 2022 →	Rap	30 minute(s)	5 Kg

GB	Installation manual	S	Monteringsanvisning	D	Einbauanleitung
SF	Asennusohje	E	Instrucciones de montaje	CZ	Návod k instalaci
F	Notice de montage	H	Szerelési utasítás	I	Istruzioni de montaggio
PL	Instrukcja montażu	P	Instruções de instalação	GR	Οδηγίες Εγκατάστασης
NL	Installatie-instructies	RUS	Инструкция по установке	DK	Monteringsvejledning
TR	Montaj Talimatı	N	Monteringsveiledning	RO	Instructiuni de instalare