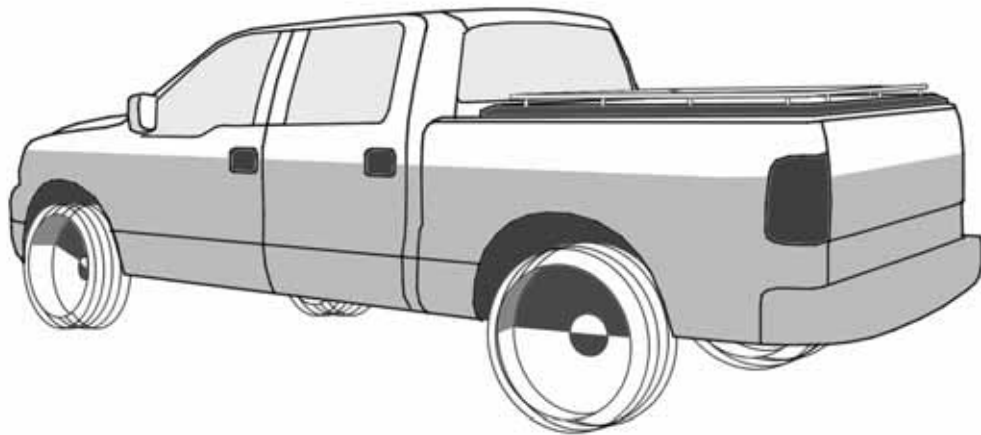


# MOUNTAIN TOP COVER INSTALLATION GUIDE

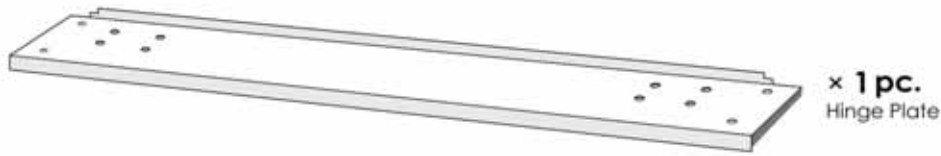


NISSAN STANDARD (A + F)

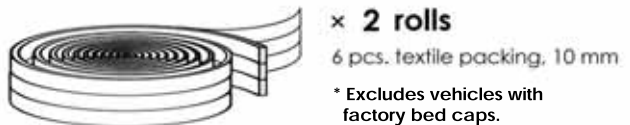
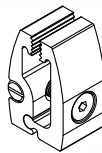
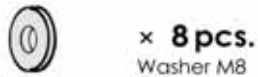
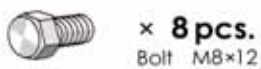
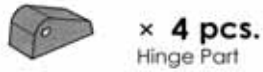
**MOUNTAIN  
INDUSTRIES TOP**

MTI-number 882 125	Issue 08	Date 06/08/2010	NISSAN MT NI 8000/1 A + F	Page 1/6
Pedersholmparken 10	3600 Frederikssund	Denmark	ph: +45 4810 2950	Fax +45 4810 2960

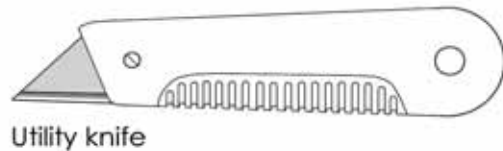
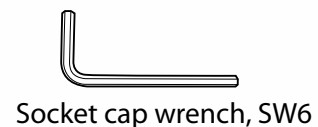
## Step 1. Hardware components & descriptions



× 2 pcs.  
Key  
Attached to Cover



## Step 2. Tools required for installation



MTI-number  
882 125

Issue  
08

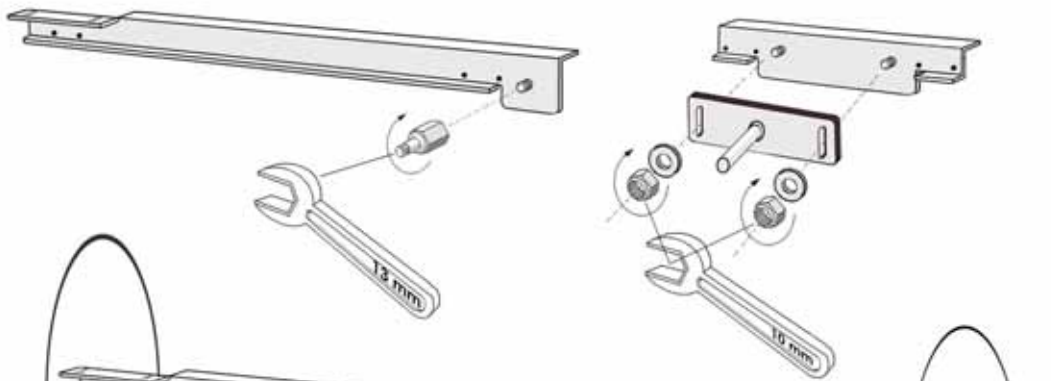
Date  
06/08/2010

NISSAN  
MT NI 8000/1 A + F

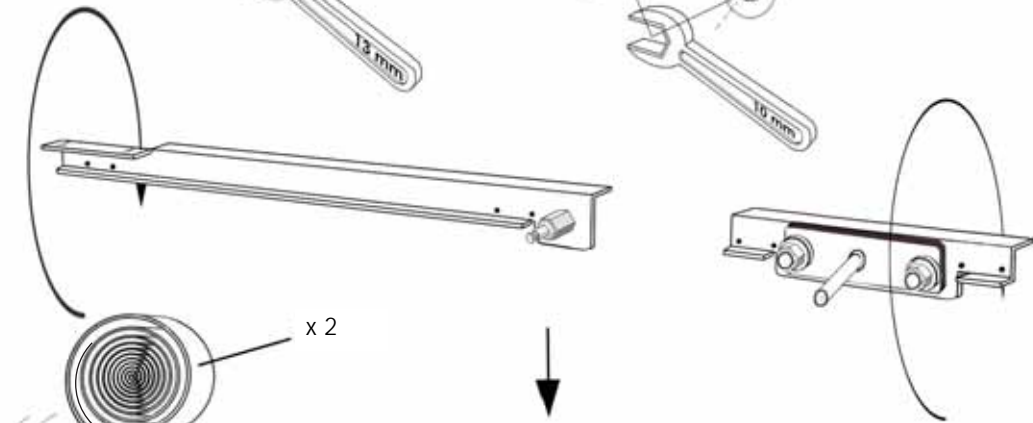
Page  
2/6

### Step 3. Rail cap assembly

3.1



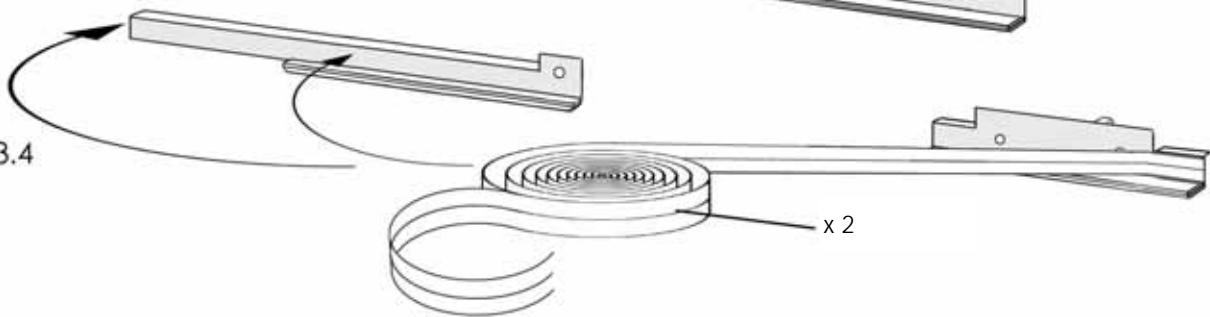
3.2



3.3



3.4

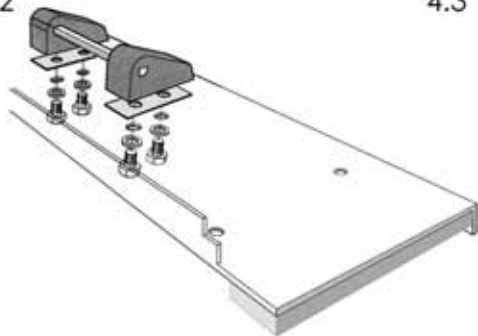


### Step 4. Hinge plate assembly

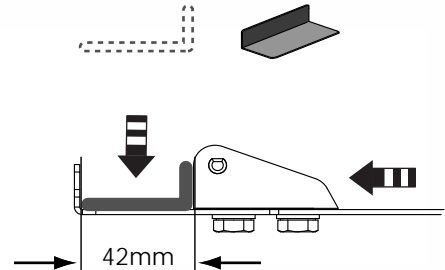
4.1



4.2



4.3

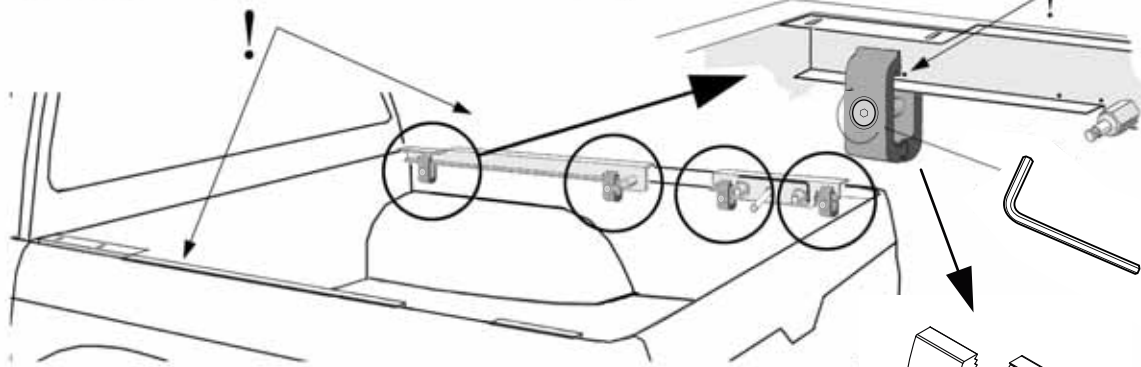


## Step 5. Rail cap mounting

5.1

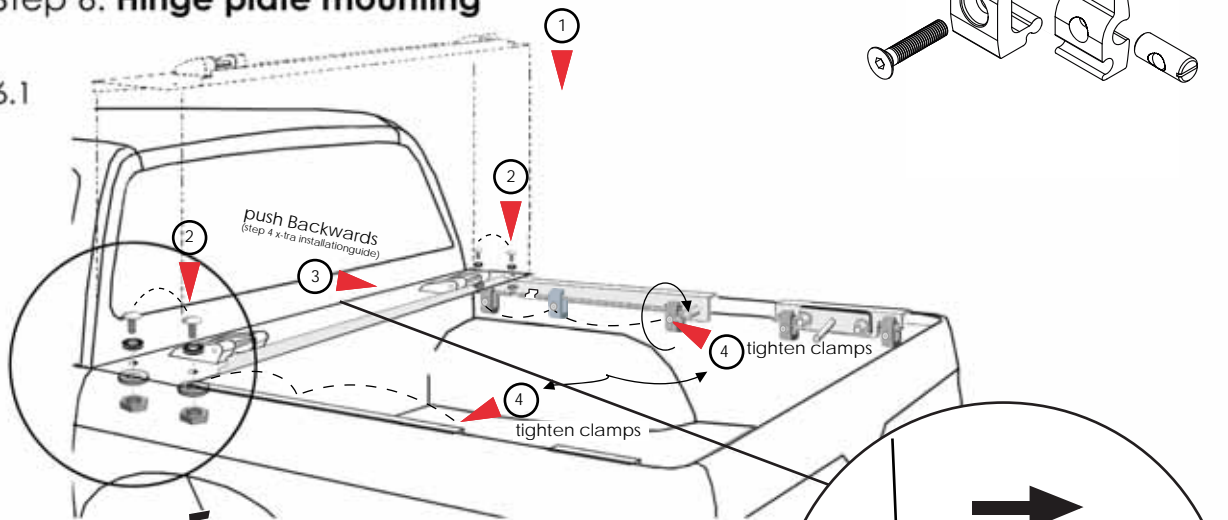


5.2

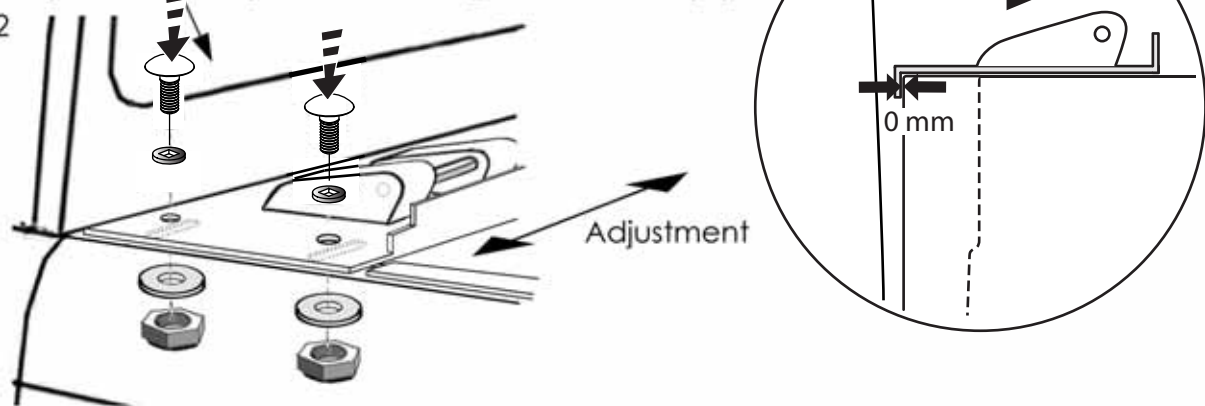


## Step 6. Hinge plate mounting

6.1



6.2



MTI-number  
882 125

Issue  
08

Date  
06/08/2010

NISSAN  
MT NI 8000/1 A + F

Page  
4/6

Pedersholmparken 10

3600 Frederikssund

Denmark

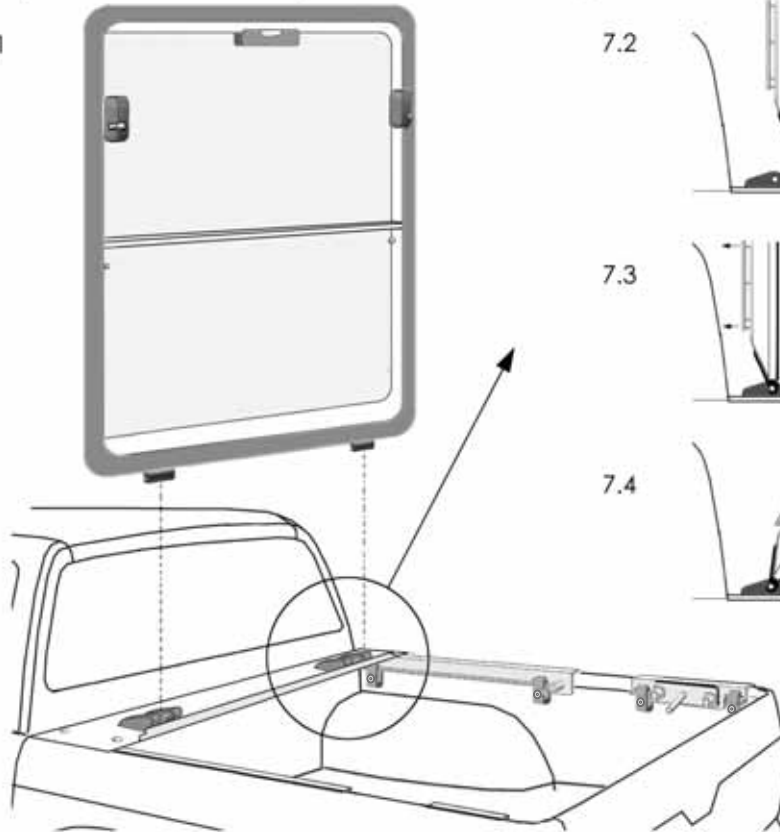
ph: +45 4810 2950

Fax +45 4810 2960

www.mountaintop.dk

## Step 7. Mountain Top Cover mounting

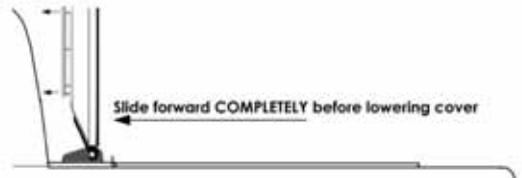
7.1



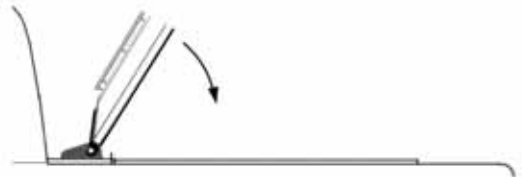
7.2



7.3

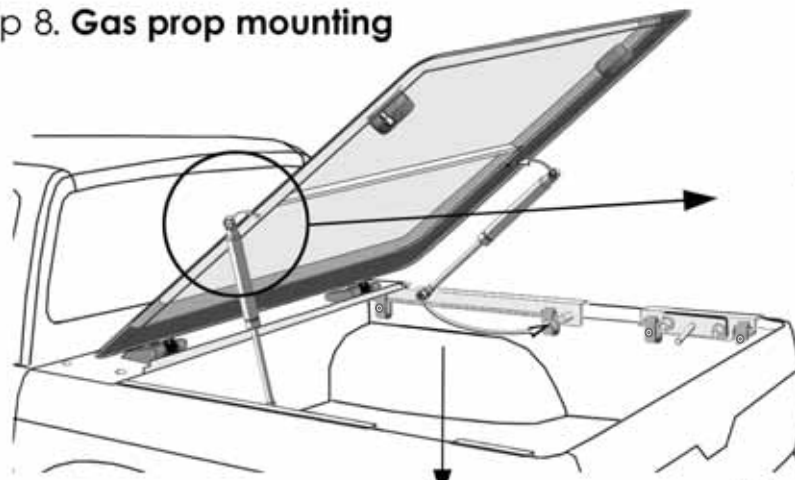


7.4

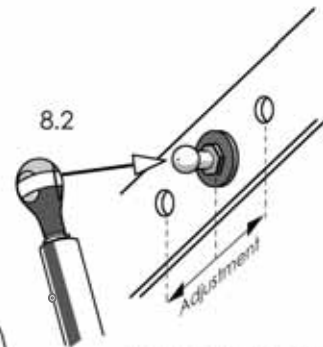


## Step 8. Gas prop mounting

8.1

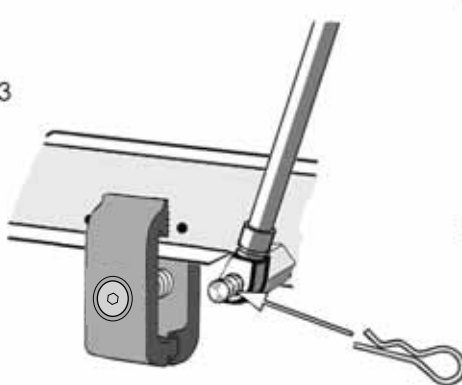


8.2

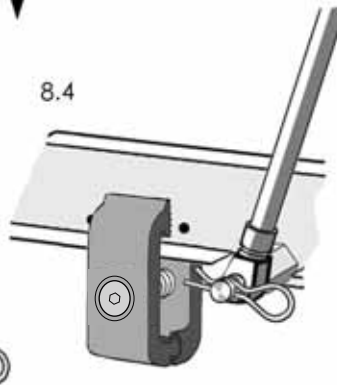


Before disconnecting the gas prop, remove the lock clip with a screw driver.

8.3



8.4



## Step 9. Sealing adjustment

