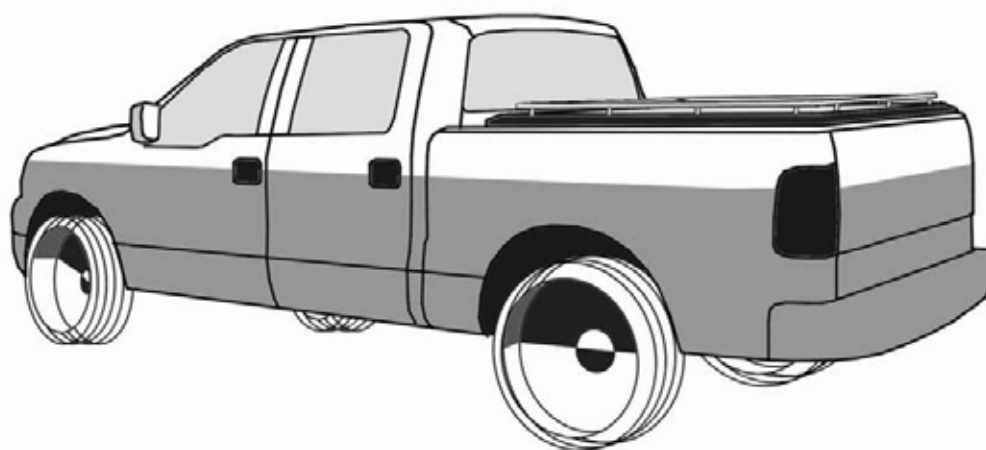


MOUNTAIN TOP COVER INSTALLATION GUIDE



NISSAN C-CHANNEL (E)

**MOUNTAIN
INDUSTRIES TOP**

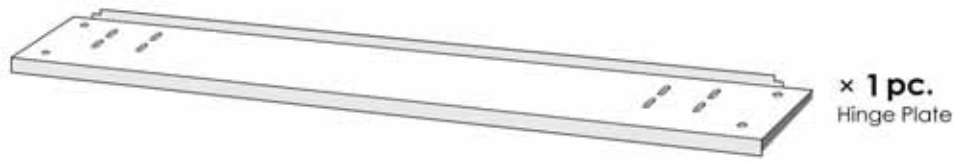
Pedersholmparken 10, 3600 Frederikssund, Denmark

Phone: +45 4810 2950
Fax: +45 4810 2960

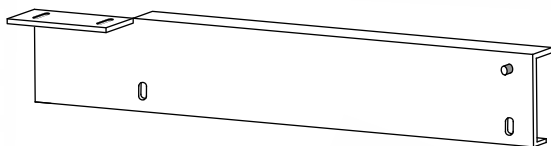
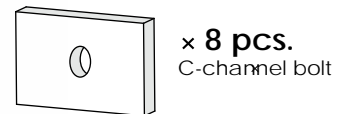
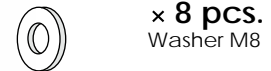
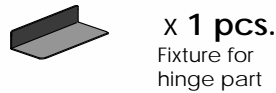
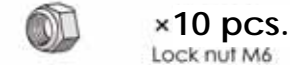
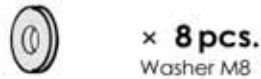
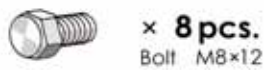
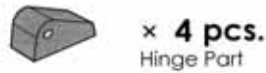
info@mountaintop.dk
www.mountaintop.dk

MTI-number 882 140	Issue 07	Date 27/04/2010	NISSAN MT NI 8000/1 E	Page 1/8
Pedersholmparken 10 3600 Frederikssund Denmark ph: +45 4810 2950 Fax +45 4810 2960 www.mountaintop.dk				

Step 1. Hardware components & descriptions



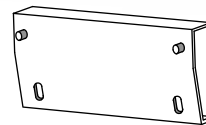
× 2 pcs.
Key
Attached to Cover



× 2 pcs. (L/R)
Side rail front



8000: Gas prop 400 N
8001: Gas prop 600 N

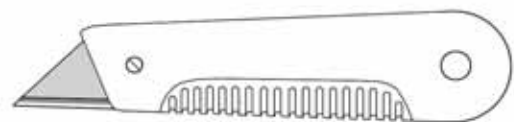


× 2 pcs. (L/R)
Side rail rear



* Excludes vehicles with factory bed caps.

Step 2. Tools required for installation



Utility knife



Screw driver

PAGE 1

MTI-number
882 140

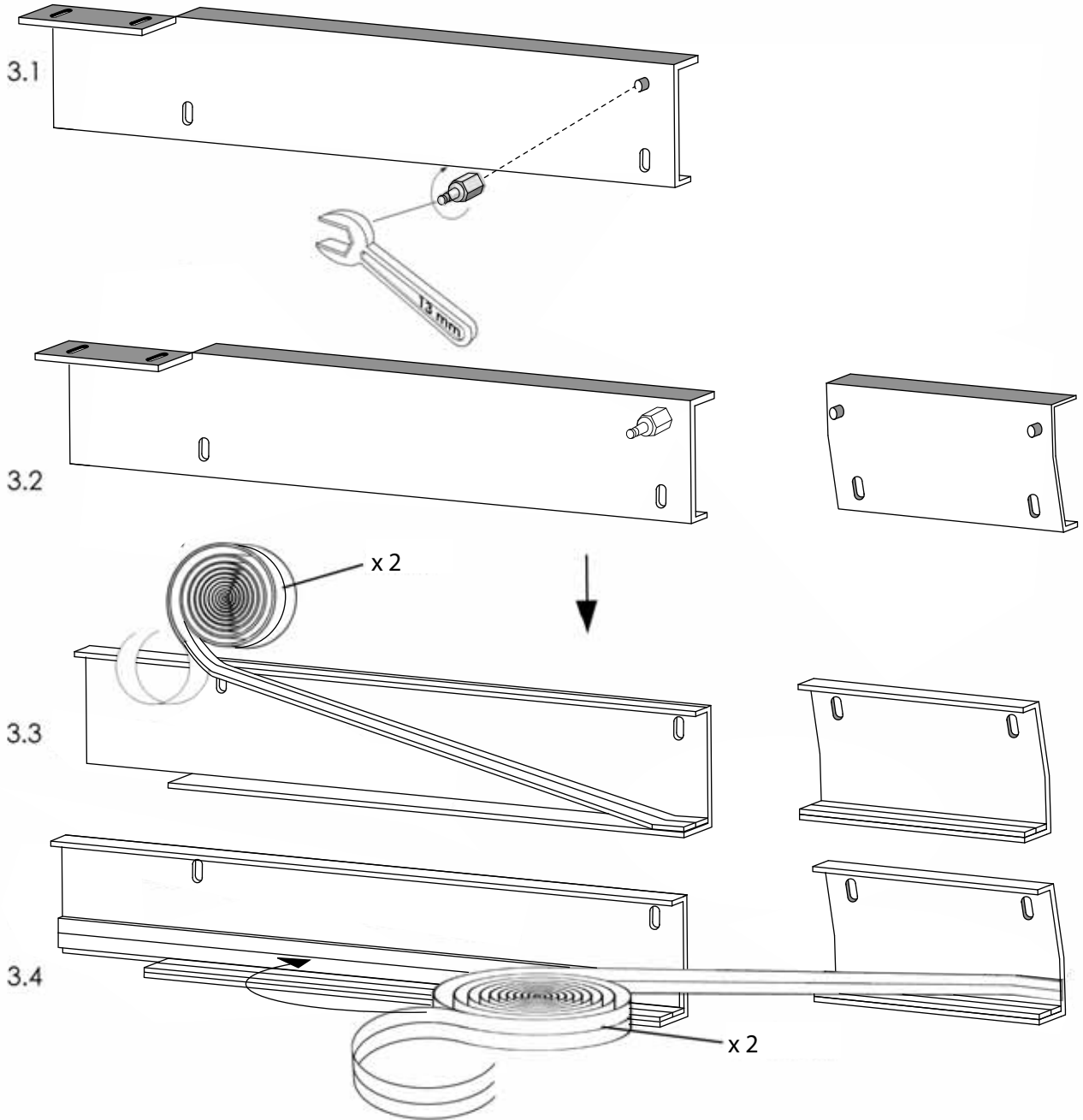
Issue
07

Date
27/04/2010

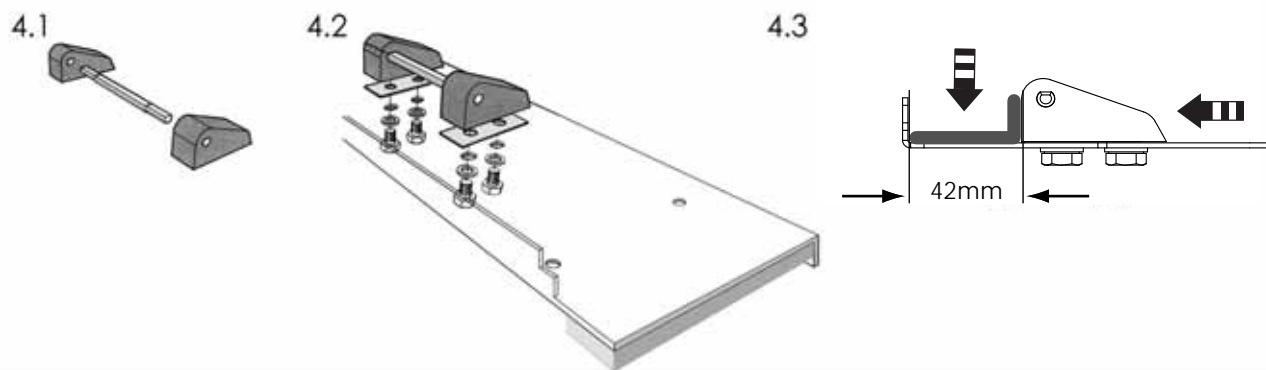
NISSAN
MT NI 8000/1 E

Page
2/3

Step 3. Rail cap assembly



Step 4. Hinge plate assembly



MTI-number
882 140

Issue
07

Date
27/04/2010

NISSAN
MT NI 8000/1 E

Page
3/8

Pedersholmparken 10

3600 Frederikssund Denmark

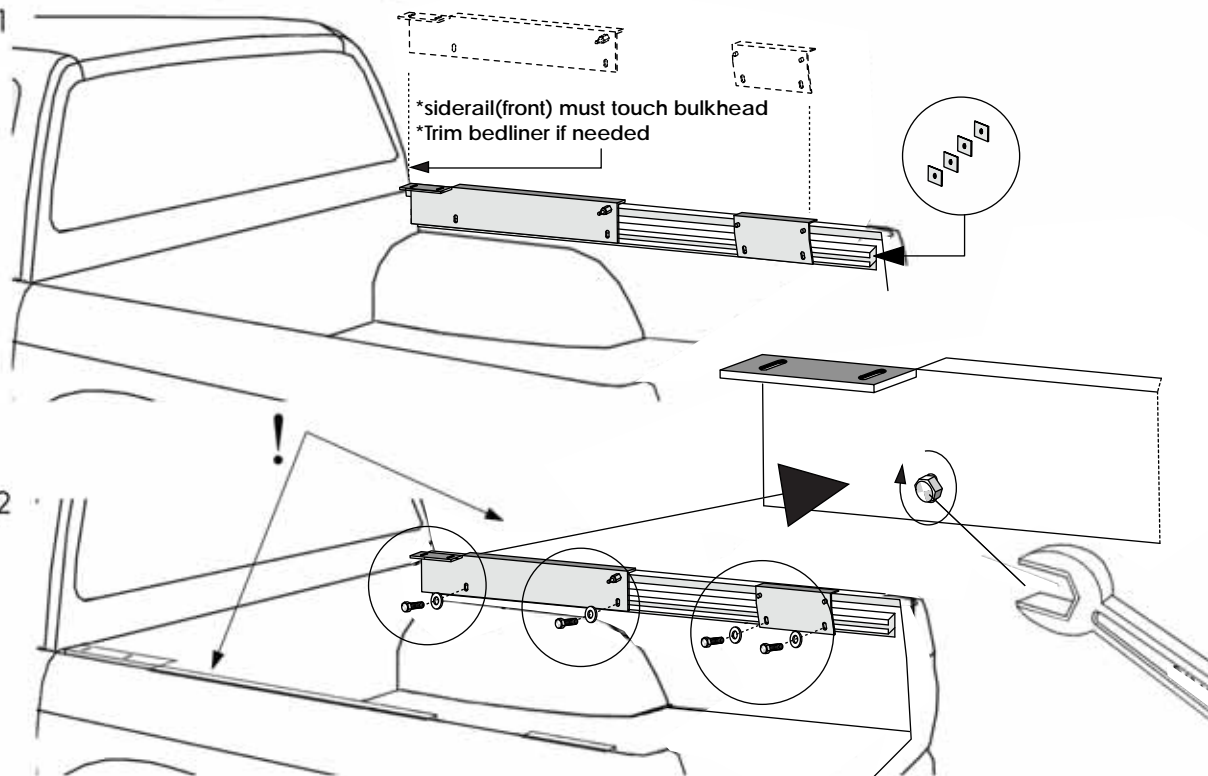
ph: +45 4810 2950

Fax +45 4810 2960

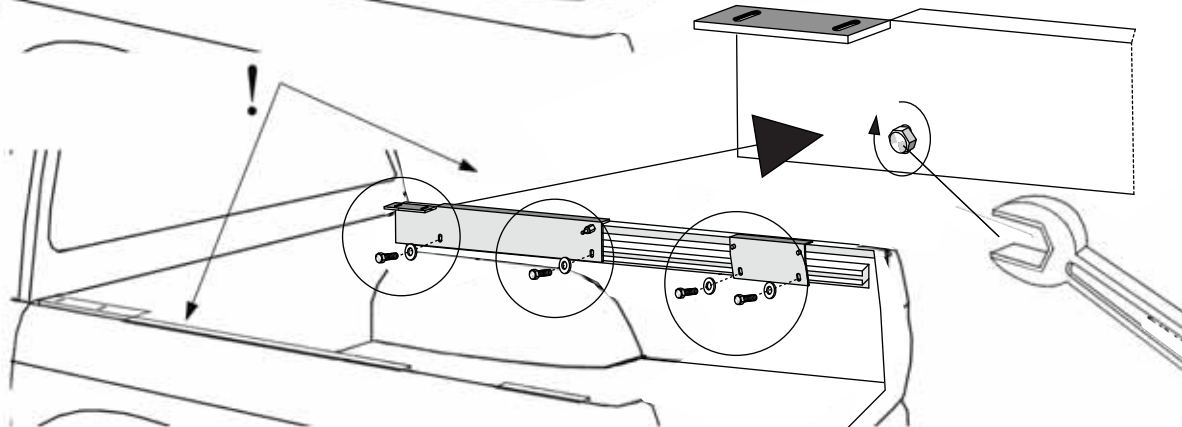
www.mountaintop.dk

Step 5. Rail cap mounting

5.1

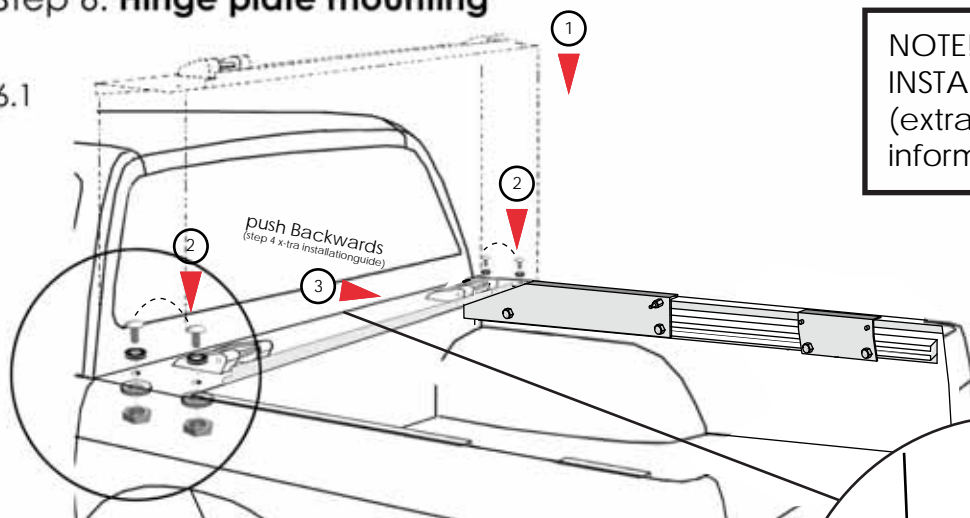


5.2



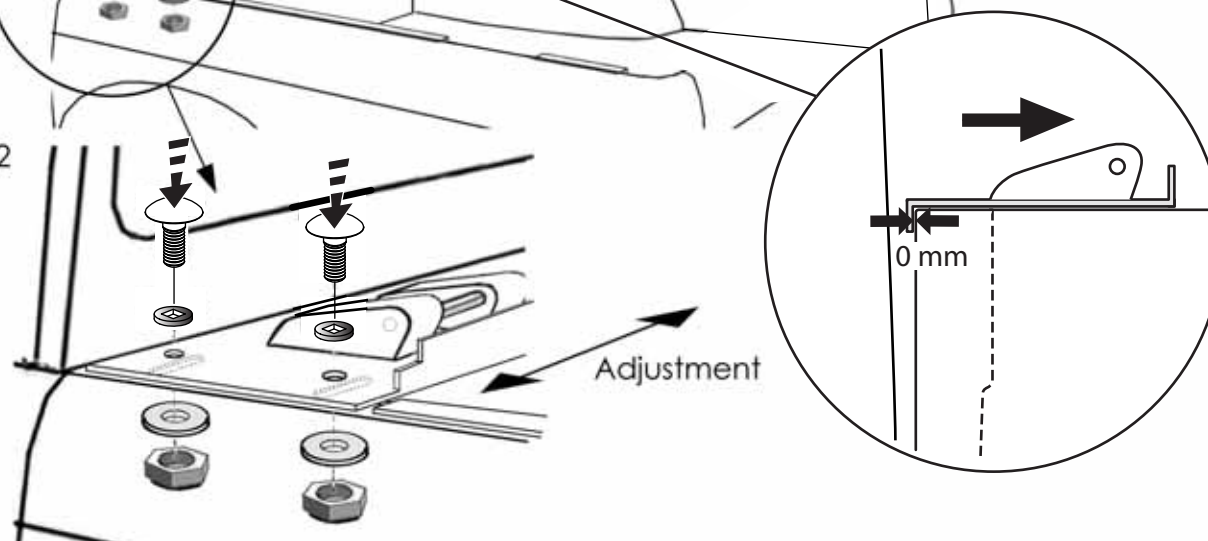
Step 6. Hinge plate mounting

6.1



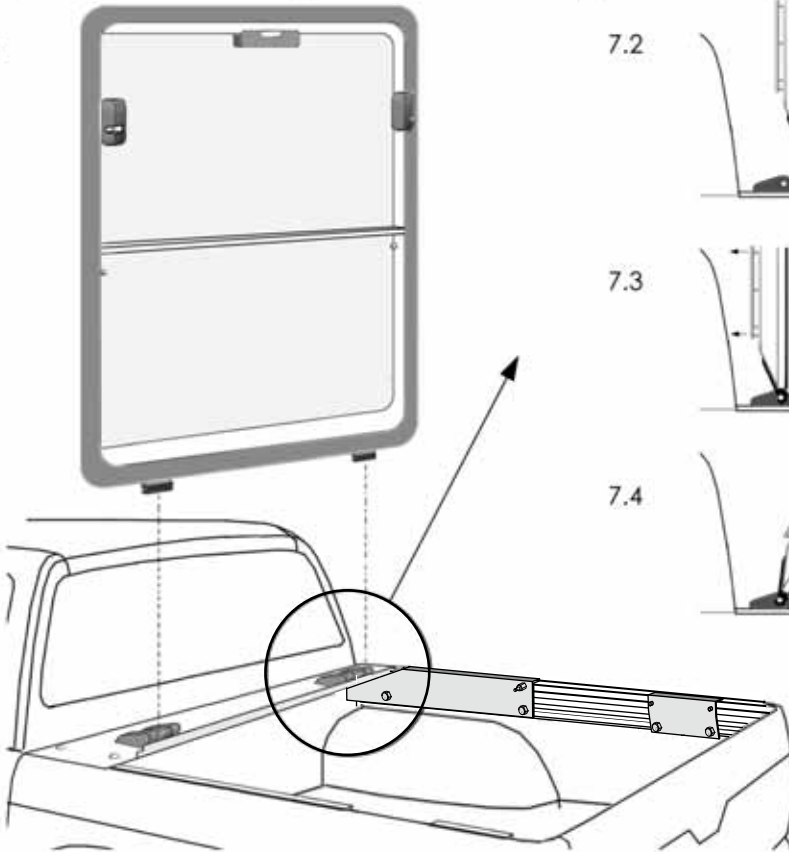
**NOTE!! PLEASE USE
INSTALLATIONGUIDE
(extra) for additional
information, step 4-6**

6.2



Step 7. Mountain Top Cover mounting

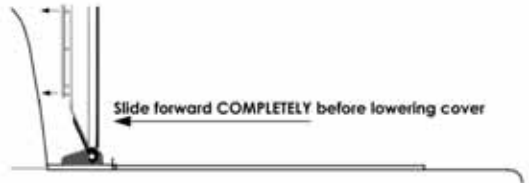
7.1



7.2



7.3

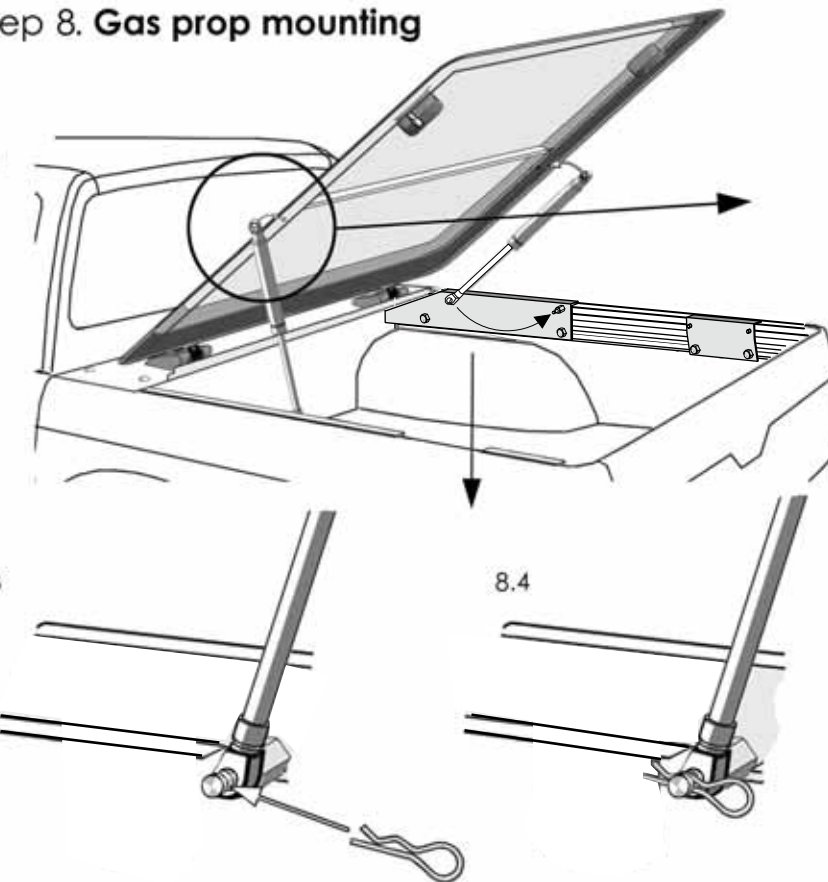


7.4

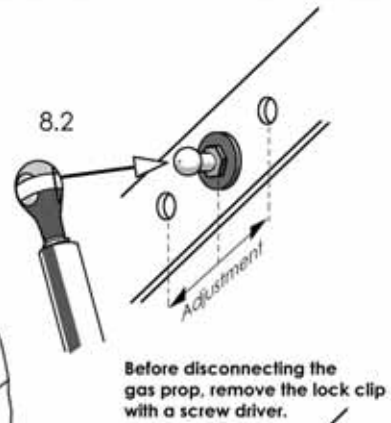


Step 8. Gas prop mounting

8.1



8.2



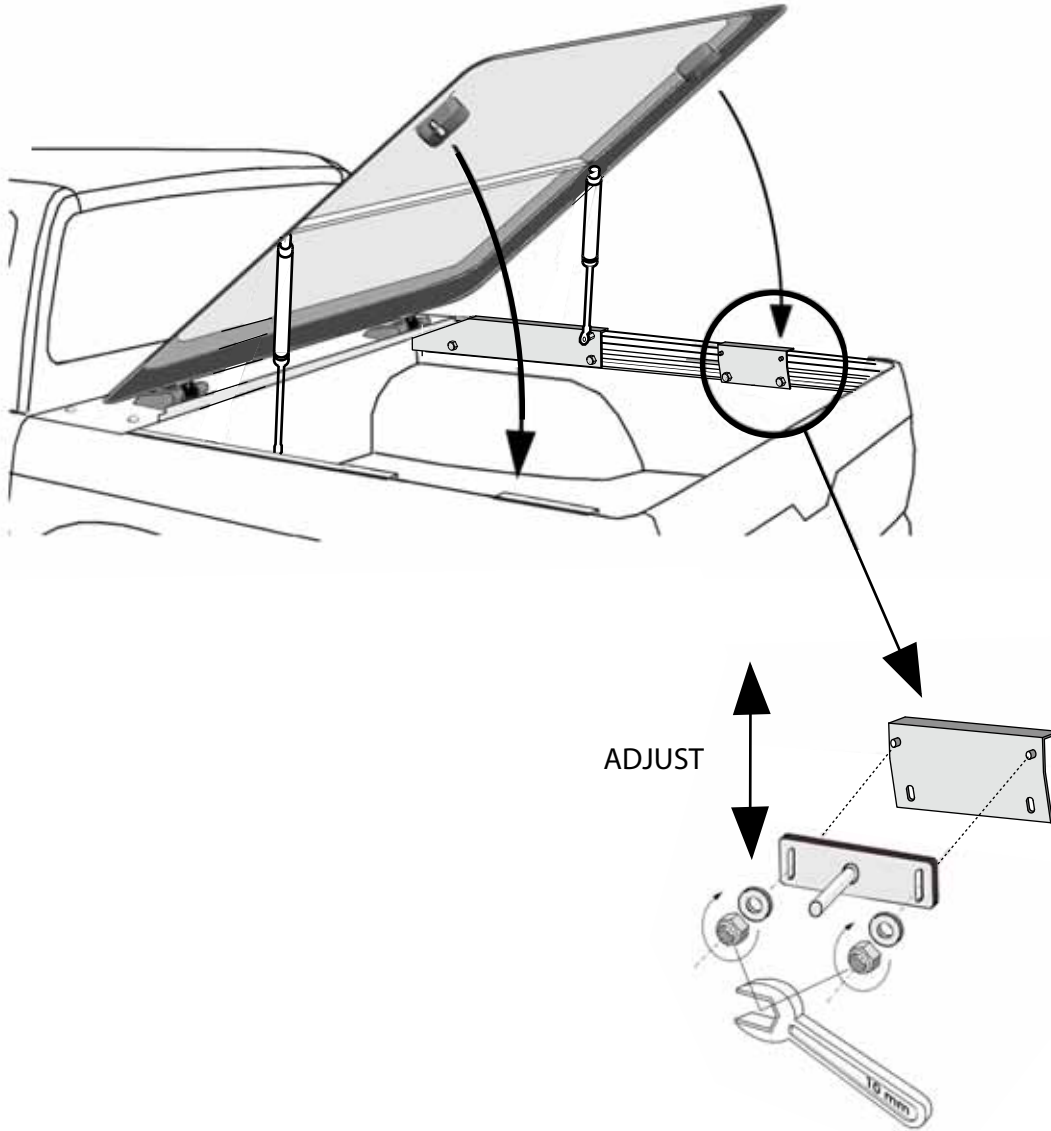
Before disconnecting the gas prop, remove the lock clip with a screw driver.

8.3

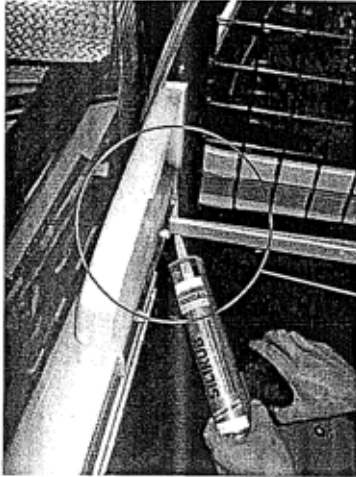
8.4



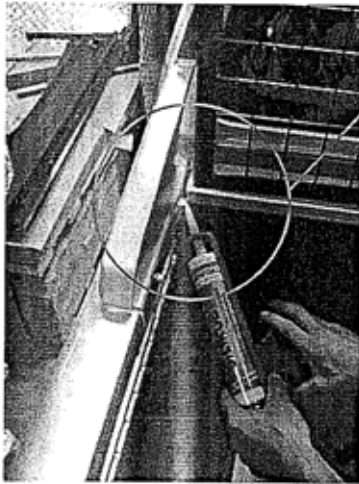
Step 9. Sealing adjustment



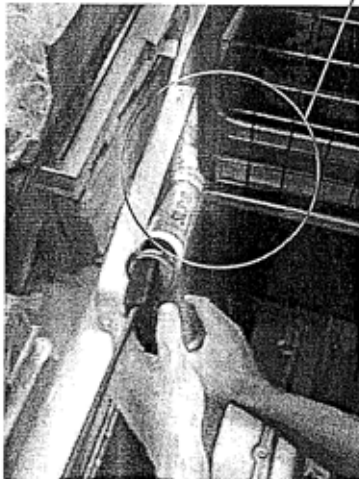
Installation guide (extra)(D)



STEP 1



STEP 2



STEP 3

Before installation add silicone in the corner between bulkhead and side of bed

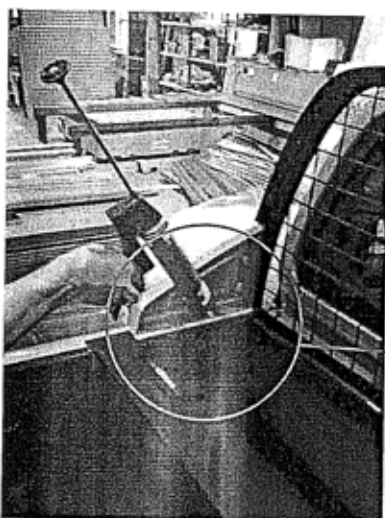
MTI-number 882 140	Issue 07	Date 27/04/2010	NISSAN MT NI 8000/1 E	Page 7/8
Pedersholmparken 10	3600 Frederikssund	Denmark	ph: +45 4810 2950 Fax +45 4810 2960	www.mountaintop.dk

Installation guide (extra)(D)



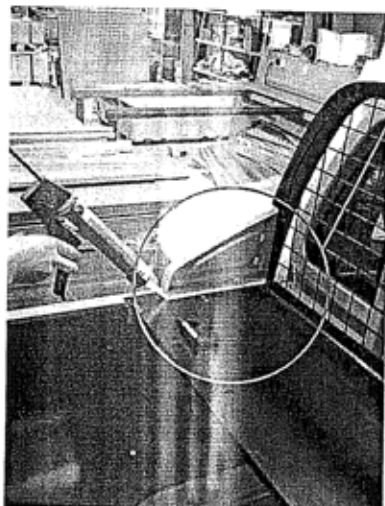
Press forward

STEP 4



Add silicone between side of bed and hinge plate

STEP 5



STEP 6